



Spare Parts Catalogue

217 SuperStack

Revision: **005** Date: 20/11/2012



This pdf Manual has been created on the date indicated.
The latest version (inter-active) is available on web-site www.sandenvendo.com Client Area.
Thank you



English Version

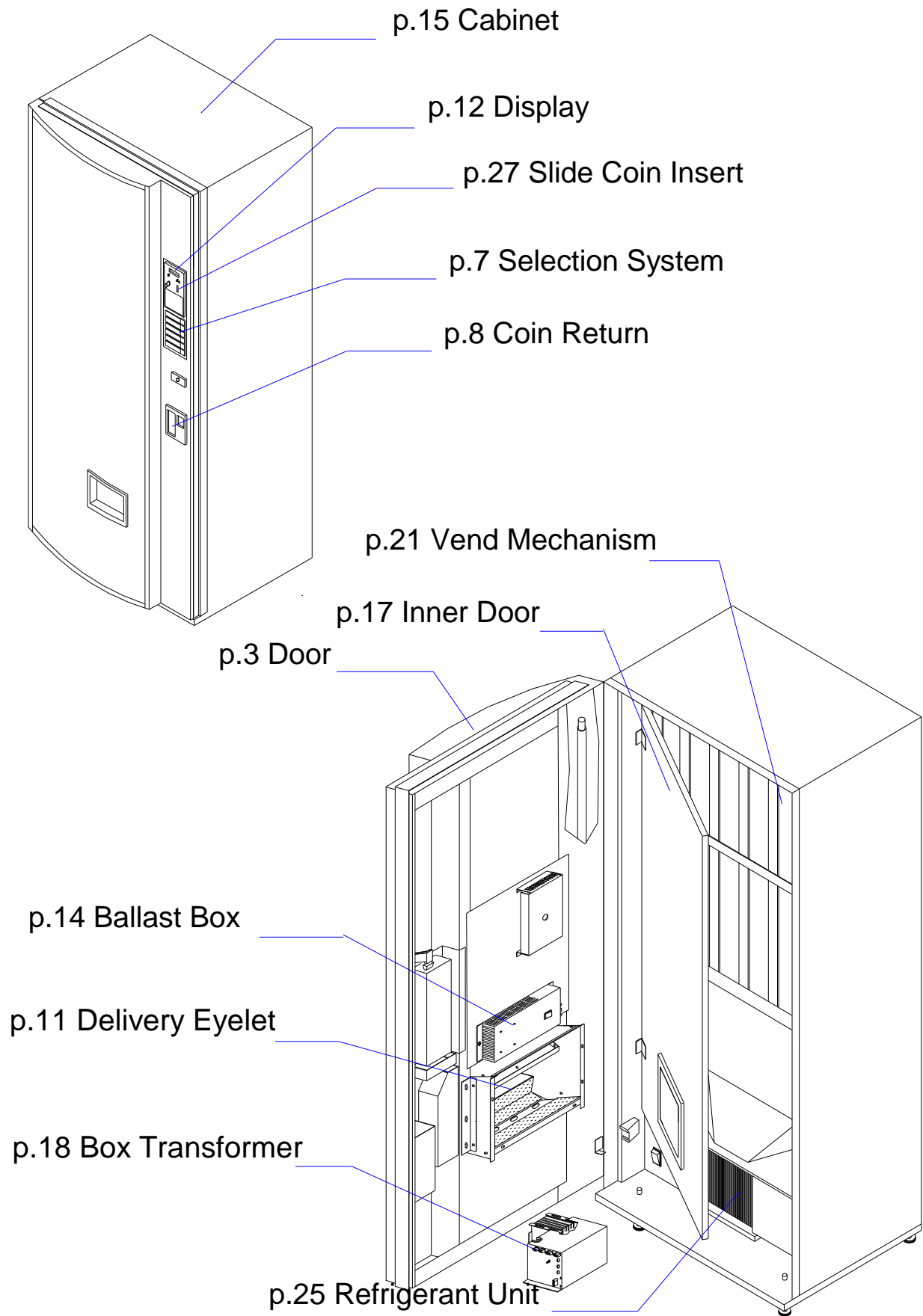
Vendo
SANDEN

SandenVendo Europe S.p.A. - Regione Cavallino,2 - 15030 Coniolo (AL) - Italy

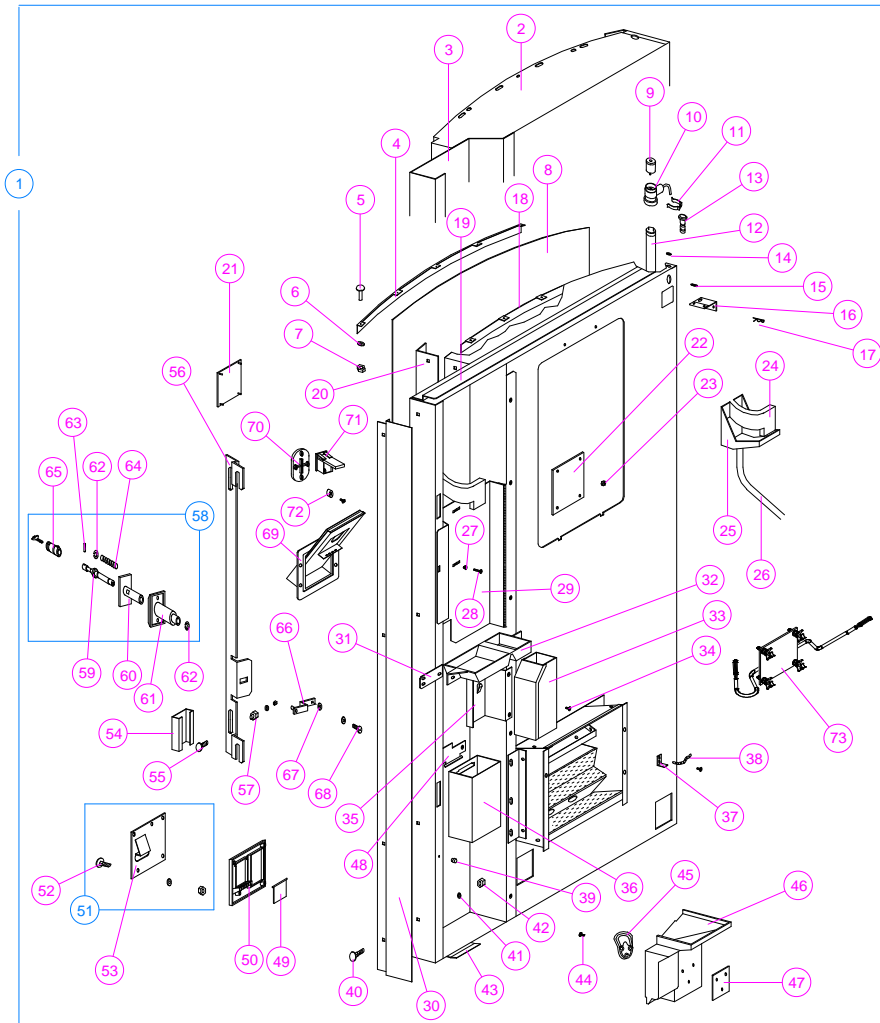
Tel. +39 0142.335119 - Fax +39 0142.562348 - E-mail: marketing@sandenvendo.it - Web: www.sandenvendo.it

Index

Contents	Page
View	2
Door	3 - 4 - 5 - 6
Selection System	7
Coin Return	8
Board BB01	9
Delivery Eyelet	10
Display	11 - 12
Ballast Box	13
Cabinet	14 - 15
Inner Door	16
Box Transformer	17 - 18
Door Switch	19
Vend Mechanism	20 - 21 - 22 - 23
Refrigerant Unit	24 - 25
Slide Coin Insert	26
Electrical Diagram	27
Kit Jack Board	28
Kit Card Reader	29
Kit Interface Print	30
Safeguard	31
Glenview System	32
Revision	33

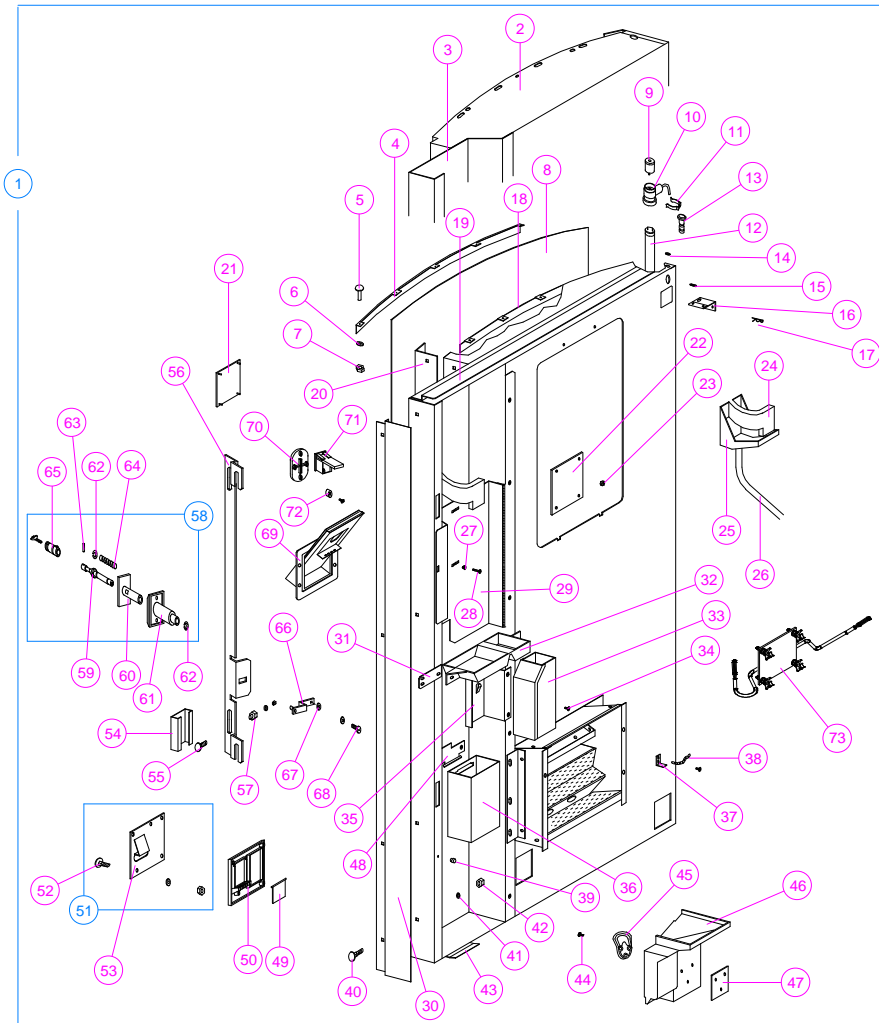


DRW 217_01

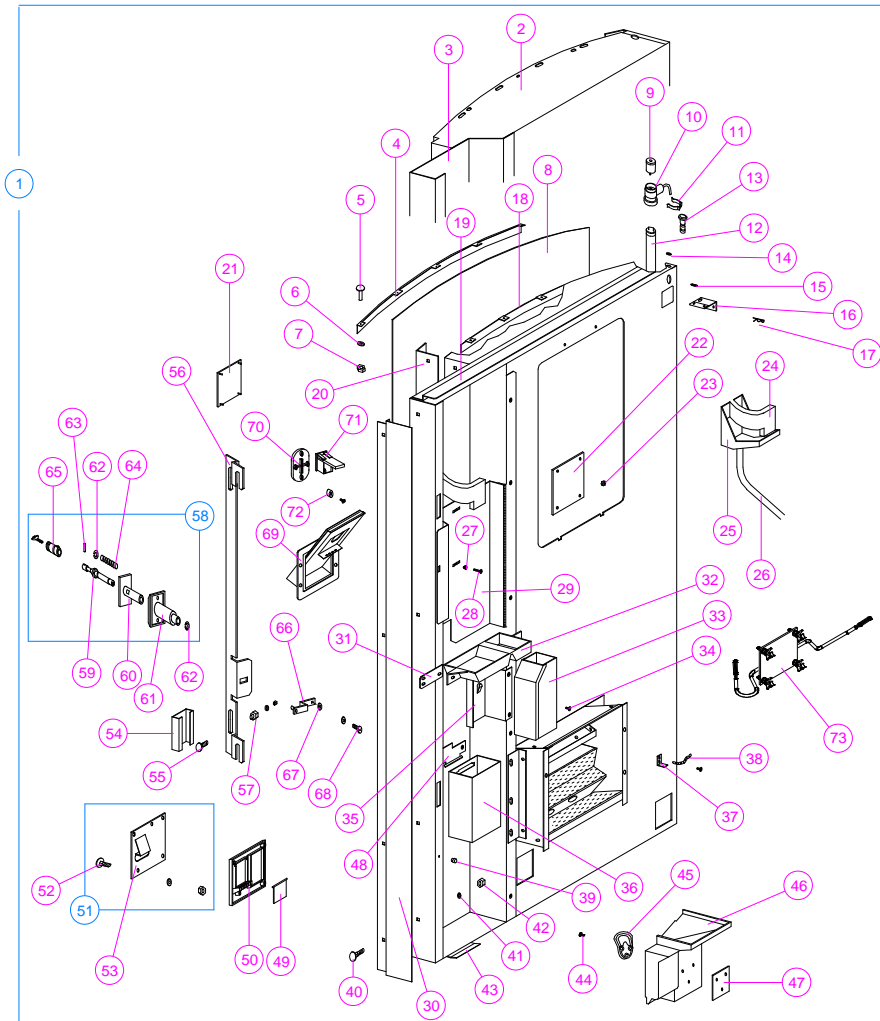


Pos	Code	Description	Serial Number Nota
1	136730/1	STD 217 DOOR FINAL ASSY	0000000000 - 1322020286
1	138685/1	STD 217 DOOR FINAL ASSY	1412001411 - ZZZZZZZZZZ
1	136800	S.C.I. DOOR FINAL ASSY	0000000000 - 1322020286
1	138686/1	S.C.I. DOOR FINAL ASSY	1412001411 - ZZZZZZZZZZ
2	138683	NEON PANEL WELD ASSY	
3	138681/1	CONTROL PANEL WELD ASSY	
3	138689/1	SCI CONTROL PANEL WELD ASSY	
3	138689/4	NAKED S.C.I. CONTROL PANEL WELD ASSY	
4	394669	SING RETAINER	
5	386797/1	CARRIAGE BOLT M5	
6	371115/1	LOCK WASHER	
7	390058/2	SELF-BLOCKING NUT 5MA	
8	390955	FRONT PANEL	
9	369741/1	STARTER	
10	137214/8	NEON HARNESS	
10	137214/1	NEON HARNESS	
11	371438	CLIP	
12	399624	NEON LAMP 58 W.	
13	386922	TOP HINGE PIN	
14	354597/1	WASHER	
15	386924	SET SCREW M6 X 25	

DRW 217_01

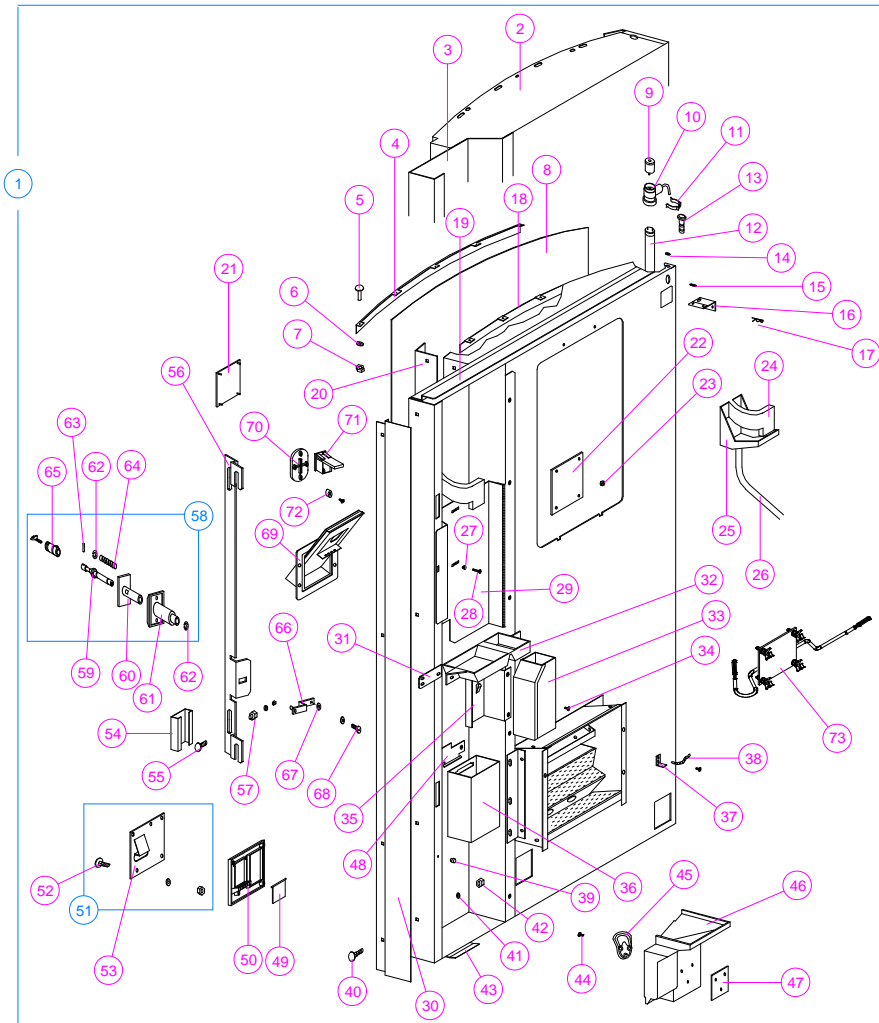


Pos	Code	Description	Serial Number Nota
16	400661	HINGE BRACKET	
17	395642	COTTER PIN	
18	401517	UPPER - LOWER LEXAN RETAINER	
19	401516	TOP DOOR PROTECTION	
20	395553	RIGHT SIDE SING RETAINER	
21	138859	CVB COVER PLUG WELD ASSY	
22	398029	HOLE REAR COVER	
23	398224/1	NUT M4	
24	390019	COIN CHANNEL	
25	395757	LIQUID COLLECTOR PAN	
26	398883	TUBING	
27	323005	SNAP IN NUT	
28	V800611	SCREW 4,2x9,5	
29	136578	COINAGE DOOR WELD ASSY	
30	395558	DOOR GUARD	
31	401985	COINS FUNNEL PLATE	
32	390537	COIN FUNNEL	
33	132645	COIN BOX	
34	V800570	SCREW 4,8x9,5	
35	390230	COIN BOX SUPPORT	
36	132646	CROWN BOX	

DRW 217_01


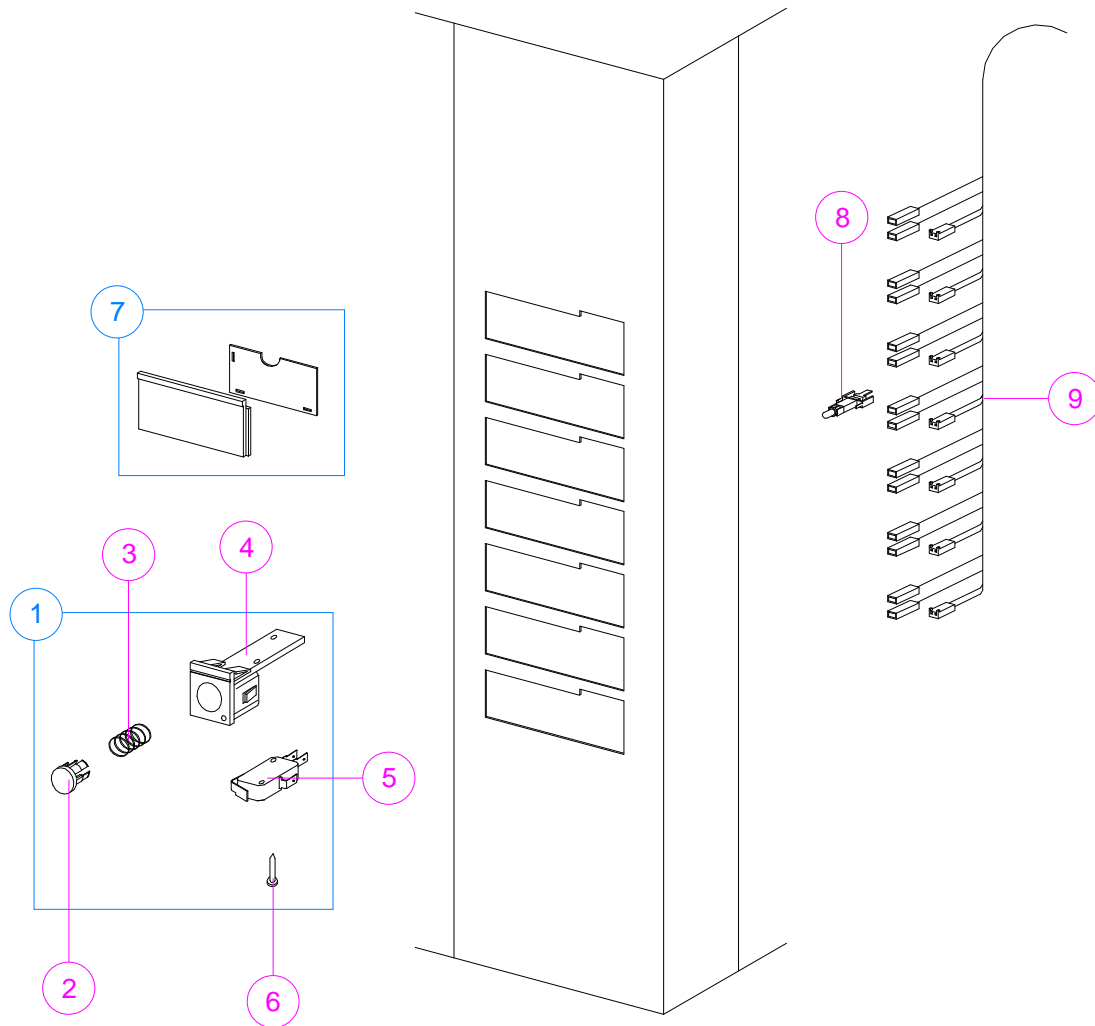
Pos	Code	Description	Serial Number Nota
37	401572	SAFETY SWITCH ACTUATOR	
38	386336	CHAIN	
39	394693	RUBBER BUMPER	
40	386237	CARRIAGE BOLT M6	
41	334655	WASHER	
42	398224/3	NUT M6	
43	390067	PLATE LIFT DOOR	
44	V800525	TAPPING SCREW	
45	31700	CROWN PLULLER	
46	388111	COIN CUP/CROWN PULLER MOLDING	
47	390238	CROWN PULLER BACK PLATE	
48	390538	CROWN BOX SUPPORT	
49	389790	COIN RETURN FLAP DOOR	
50	389791	COIN RETURN TRIM	
51	135599	SECURITY PLATE KIT	
52	386237/2	SCREW 6MAX25 INOX	
53	135598	TRIM COIN CUP - METAL -	
54	393368	CROWN PULLER COVER	
55	386797/1	CARRIAGE BOLT M5	
56	395539	LATCH STRIKE	000000000 - 1413004205
56	401722	LATCH STRIKE	1414006358 - ZZZZZZZZZZ

DRW 217_01

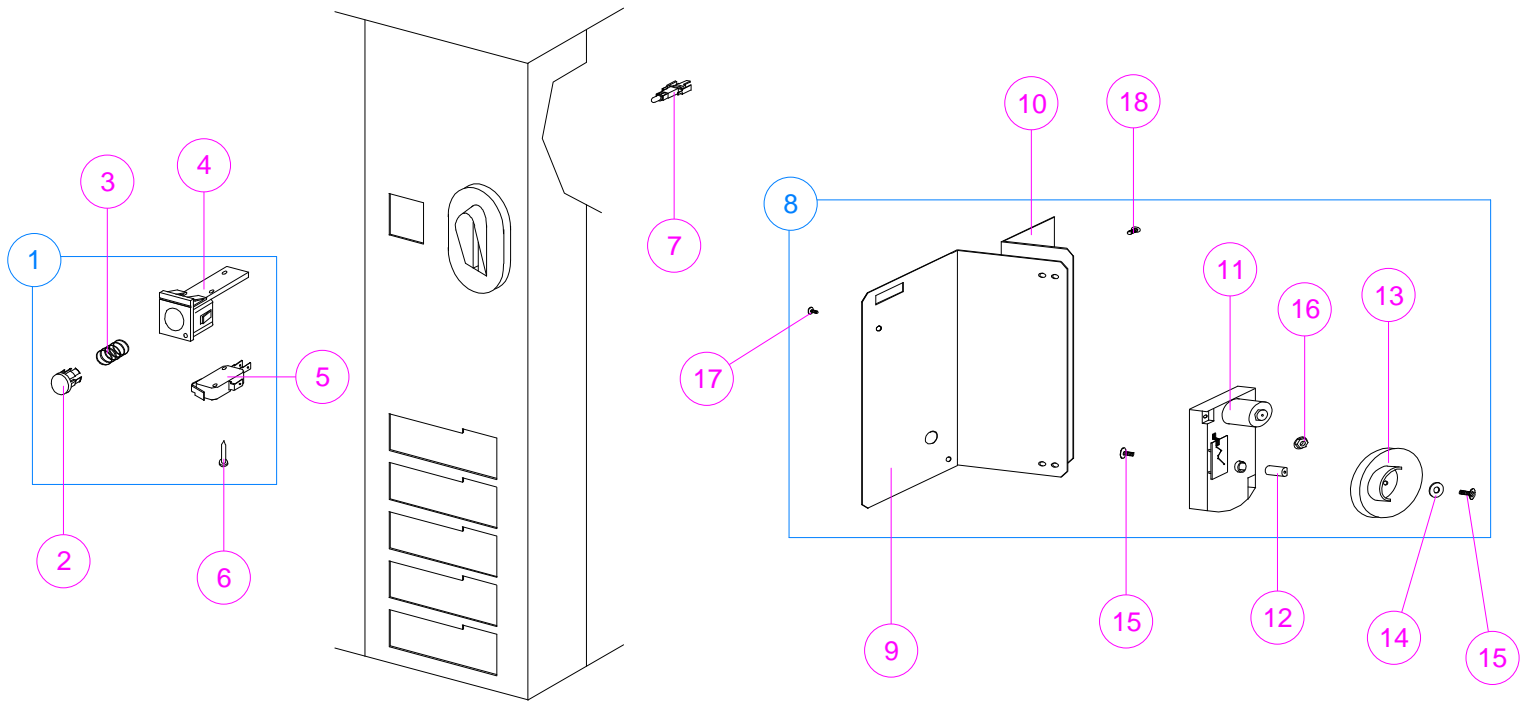


Pos	Code	Description	Serial Number Nota
57	391399	BUSHING	0000000000 - 2020008757
57	408600	GUIDE BUSHING	2021010101 - ZZZZZZZZZZ
58	134185/3	DOOR LOCK ASSY	
59	397357	LOCK STUD	
60	395604	T-HANDLE	
61	395603	LOCK HOUSING	
62	375844	RETAINER RING	
63	375840	PIN STUD	
64	375839	SPRING D.17	
65	369658...	LOCK (ADD KEY NO. TO BASIC P/N)	
66	134138	LOCK LEVER RIVET ASSY	
67	31915	WASHER	
68	381290	SCREW M5x10	
69	137350	SLIDE COINS INSERT ASSY	
70	395756	COINS INSERT	
71	136368/1	COINS RETURN BUTTON	
72	390962	PLASTIC SPACER	
73	136088	KV VALIDATOR KIT	

DRW 217_15



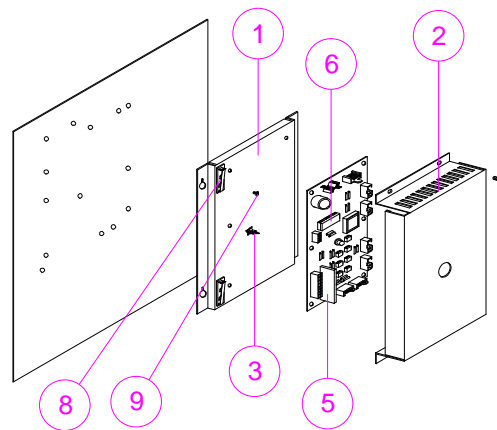
Pos	Code	Description	Serial Number Nota
1	136368/1	COINS RETURN BUTTON	
2	388250	SELECTION BUTTON	
3	388286	SELECTION SPRING	
4	395076	HOUSING SELECTION BUTTON	
5	388287	SWITCH	
6	381603/3	SCREW 2,9x16	
7	135176	WINDOW ASSY	
8	136553	LED ASSY	
9	136493/1	SELECT & S.O. LED HARNESS	

DRW 217_02


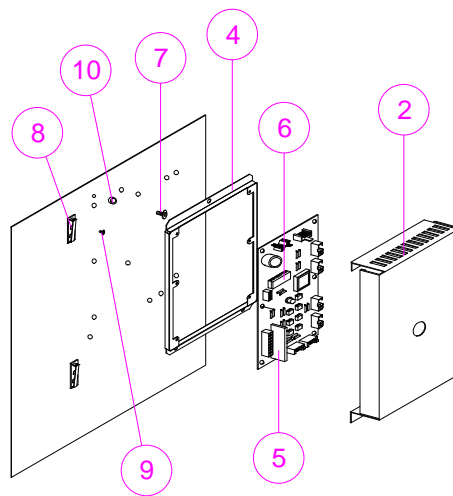
Pos	Code	Description	Serial Number Nota
1	136368/1	COINS RETURN BUTTON	
2	388250	SELECTION BUTTON	
3	388286	SELECTION SPRING	
4	395076	HOUSING SELECTION BUTTON	
5	388287	SWITCH	
6	381603/3	SCREW 2,9x16	
7	136553	LED ASSY	
8	136564	COIN RETURN MOTOR ASSY	0000000000 - 1213006795
8	138098	COIN RETURN MOTOR ASSY	1215011396 - ZZZZZZZZZZ
9	395627	MOTOR SUPPORT	0000000000 - 1213006795
9	399755	MOTOR SUPPORT	1215011396 - ZZZZZZZZZZ
10	395628	BRACKET	
11	394798	CJM 2407/95 MOTOR	0000000000 - 1213006795
11	396030	CJM 2407/95 MOTOR	1215011396 - ZZZZZZZZZZ
12	398721	SHAFT	
13	390606	COIN RETURN CAM	
14	V801440	WASHER	
15	371110/2	SCREW M4 X 16	
16	398224/1	NUT M4	
17	371110/3	SCREW M4 x 20	
18	V800570	SCREW 4,8x9,5	

DRW 217_13

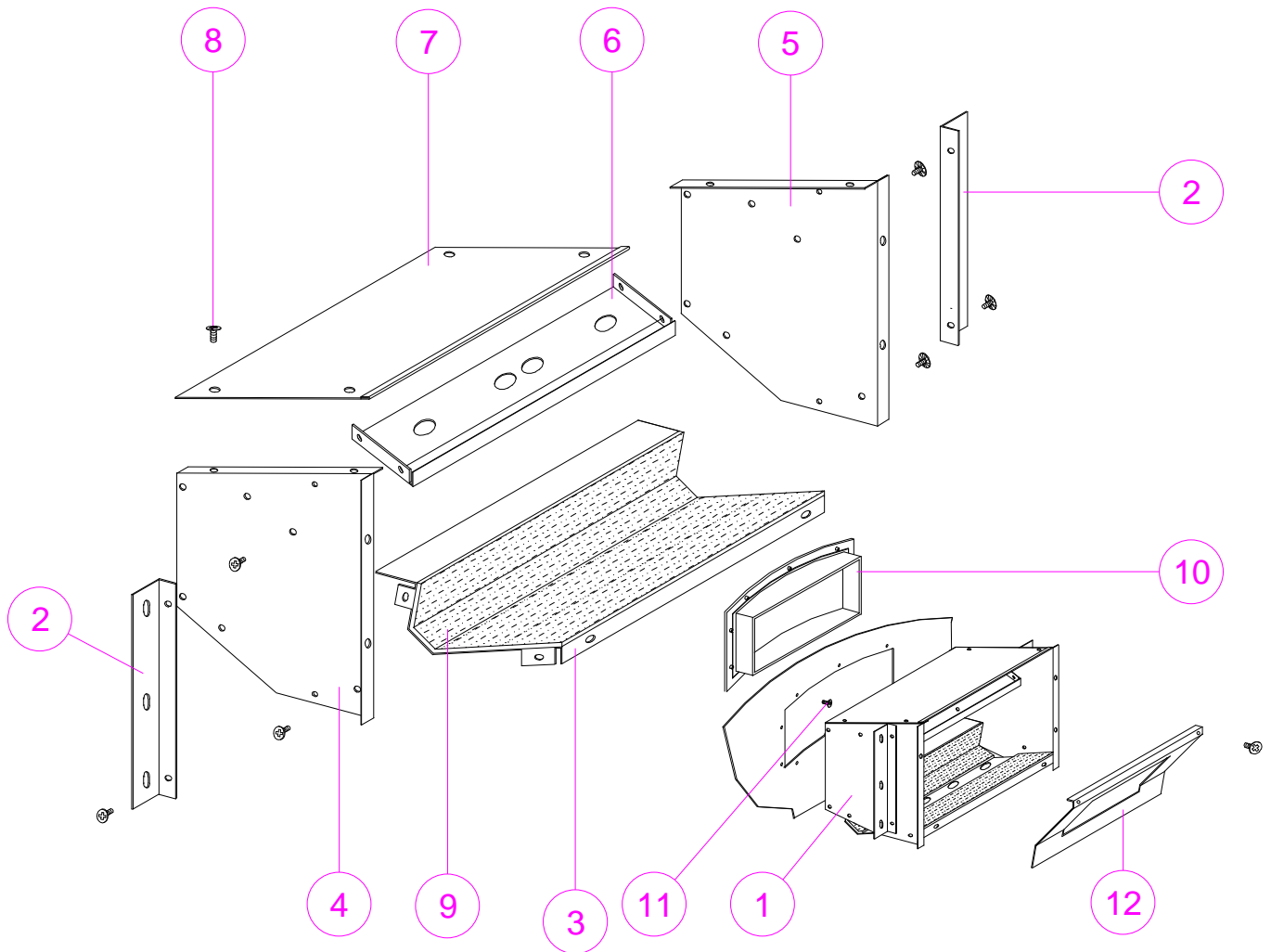
OLD VERSION



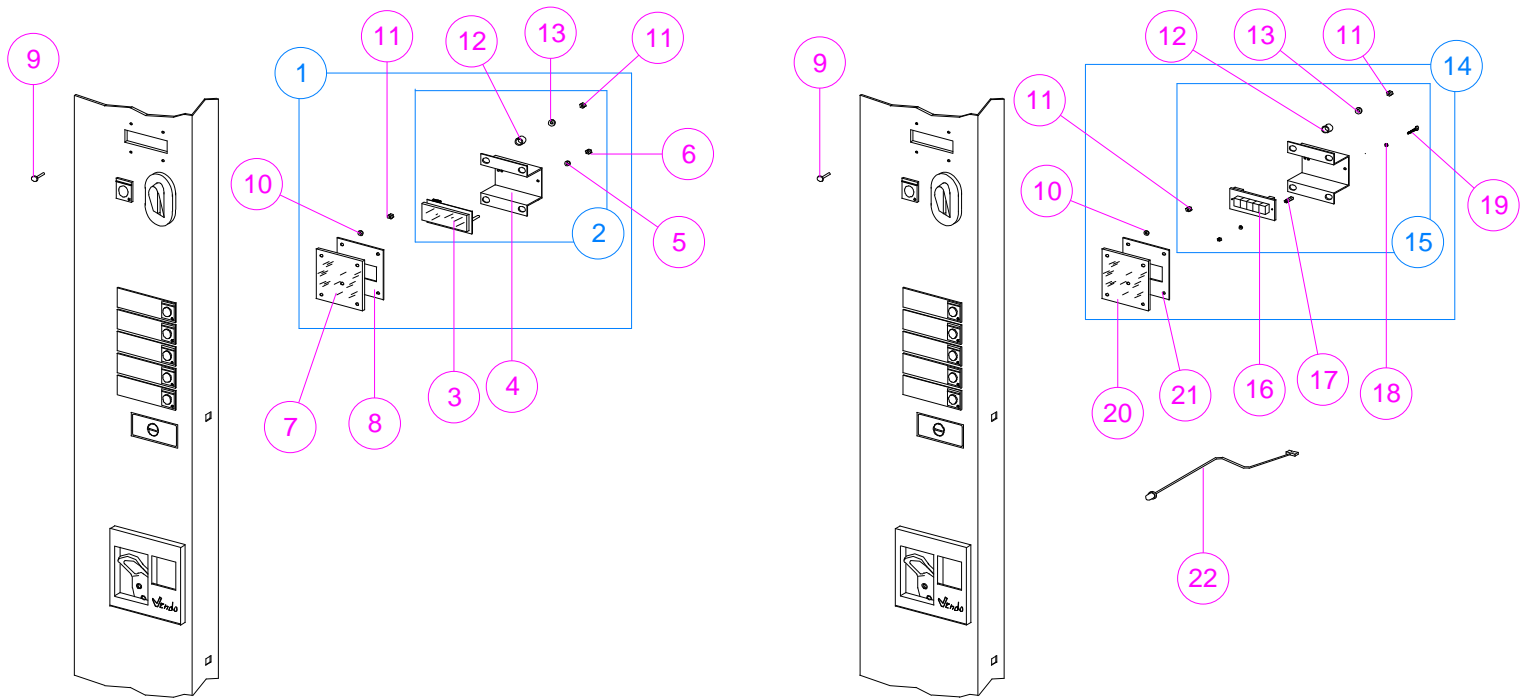
NEW VERSION



Pos	Code	Description	Serial Number Nota
1	394912	BRACKET BOARD	
2	394913	COVER BOARD	
2	395305	BOARD COVER	
3	386348	BOARD RETAINER	
4	401647	BOARD SUPPORT	
5	394605	BOARD MDB/EXEC.	
5	136136	BOARD BB01 (BDV)	
6	393620	EPROM M27 C512	
7	V800570	SCREW 4,8x9,5	
8	391031	CLAMP CABLE FASTENER	
9	381603/4	TAPPING SCREW 2,9x6,3	
10	386067/2	SPACER	

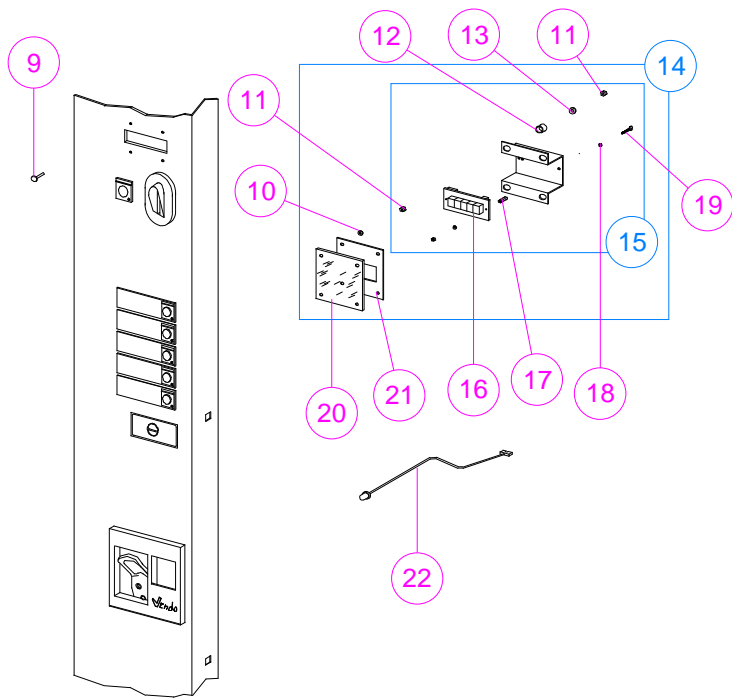
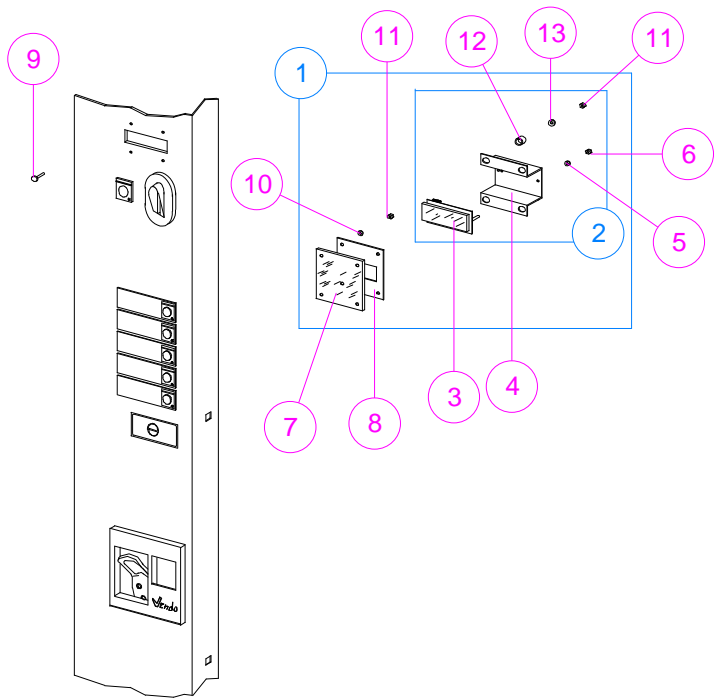
DRW 217_21


Pos	Code	Description	Serial Number Nota
1	132781/1	DELIVERY EYELET	
2	390548	DELIVERY EYELET BRKT	
3	391077	HOPPER BOTTOM	
4	391076	HOPPER SIDE LH	
5	391076/1	HOPPER SIDE RH	
6	390544	DELIVERY DOOR STOP	
7	391075	HOPPER TOP	
8	V800570	SCREW 4,8x9,5	
9	386735/3	RUBBER PLATE	
10	388271	EYELET TRIM	
11	V800622	TAPPING SCREW	
12	136387	ANTI-THEFT KIT	

DRW 217_03


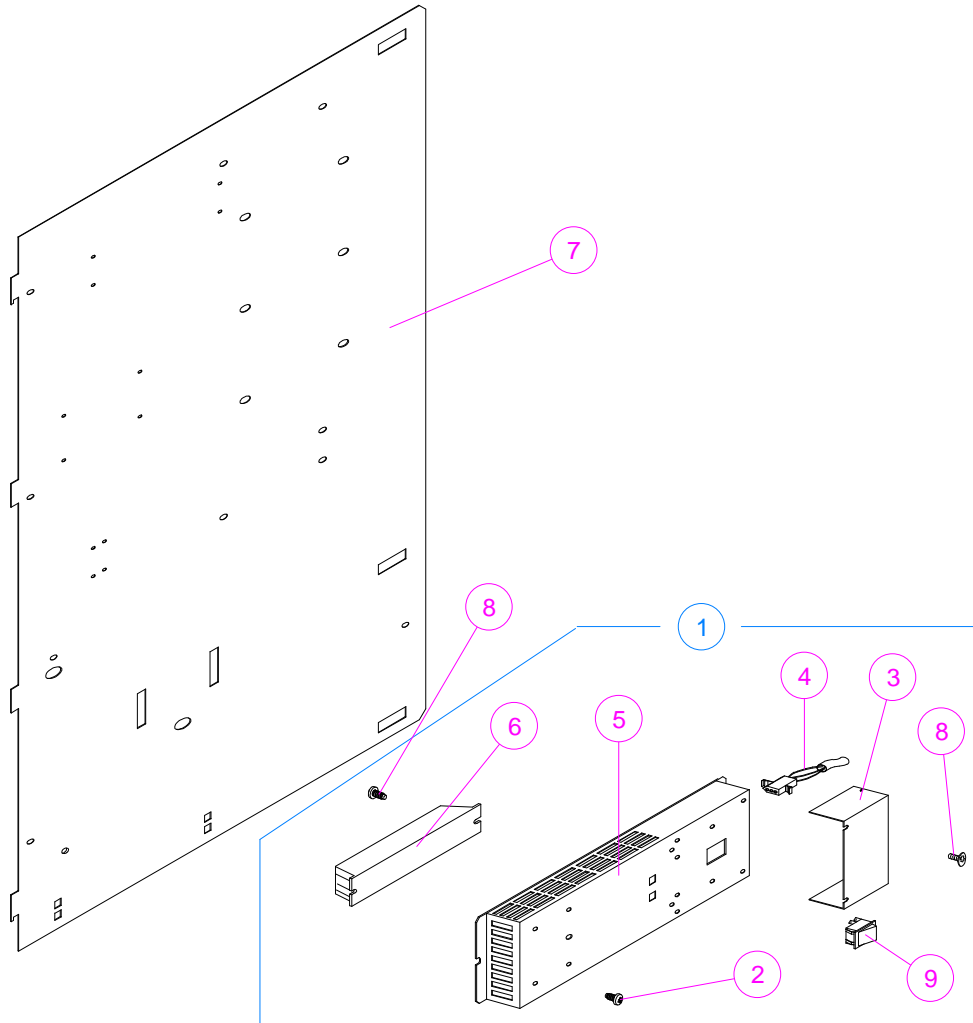
Pos	Code	Description	Serial Number Nota
1	136735	DISPLAY ASSY FLUORESCENT	
2	136736	DISPLAY ASSY FLUORESCENT	
3	395750	DISPLAY (old)	->
3	395750/1	WIRING DIAGRAM DISPLAY	->
4	395760	DISPLAY SUPPORT	
5	V801038	LOCK WASHER	
6	371109	NUT M3	
7	397124	GREY GLASS	
8	396032	FLUORESCENT DISPLAY PROTECTION	
9	375973/1	SCREW M5 X 20	
10	371115/1	LOCK WASHER	
11	371111/4	NUT M5	
12	390962	PLASTIC SPACER	
13	31915	WASHER	
14	136738	DISPLAY ASSY 5 DIGIT	
14	136738/3	DISPLAY ASSY SCI 5 DIGITS	
15	136739	DISPLAY ASSY 5 DIGIT	
16	393533/2	DISPLAY BB01 5 DIGIT	
17	381604/2	SPACER	
18	395791	BUSHING	
19	371109/7	TAPPING M3 X 20	

DRW 217_03



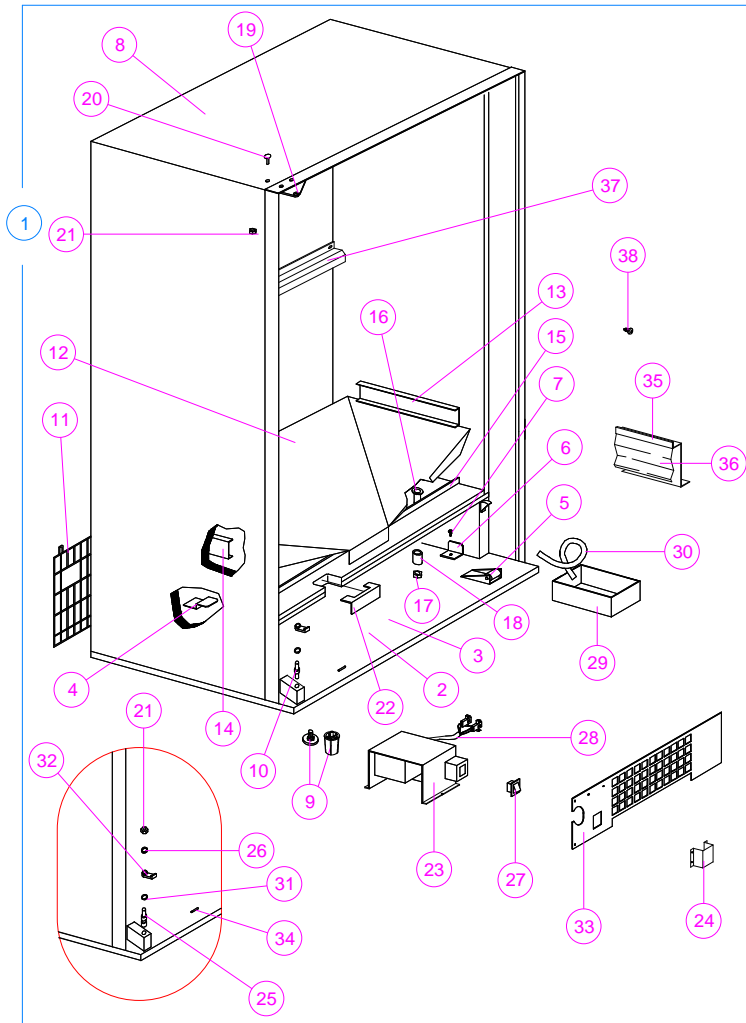
Pos	Code	Description	Serial Number Nota
20	397124	GREY GLASS	
21	396033	DISPLAY PROTECTION	000000000 - 2116006291
21	396032	FLUORESCENT DISPLAY PROTECTION	2116006292 - zzzzzzzzzz
22	136924	COIN RETURN LED HARNESS	

DRW 100_06



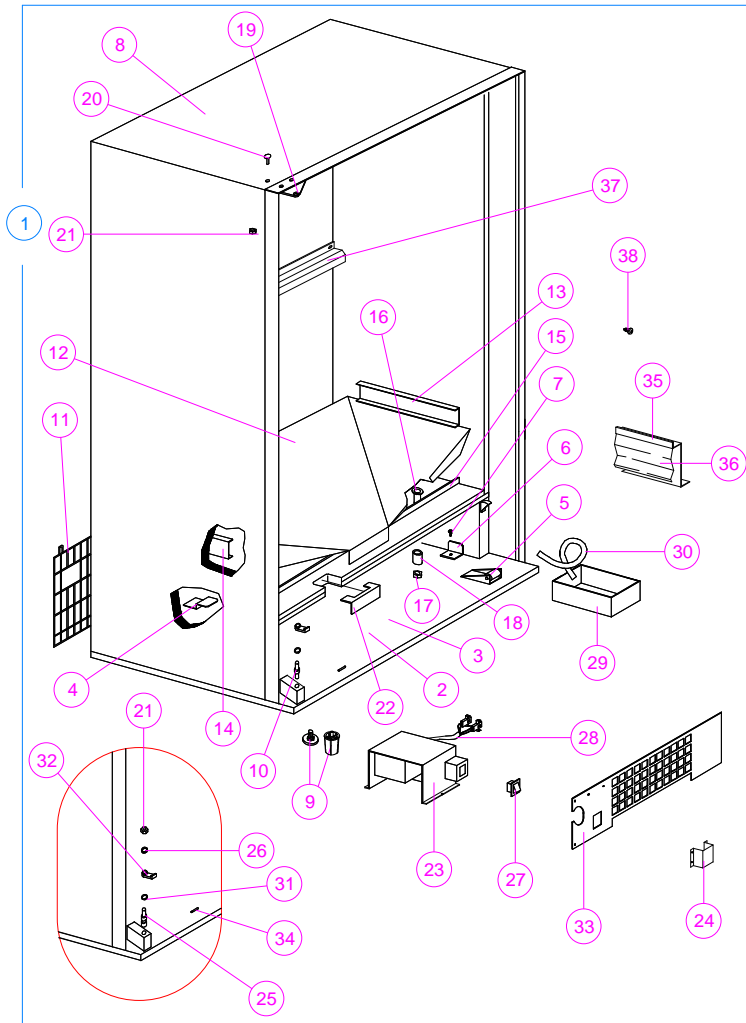
Pos	Code	Description	Serial Number Nota
1	138555	BALLAST BOX ASSY	-
2	V800570	SCREW 4,8x9,5	
3	401313	BALLAST COVER	
4	135554/1	LIGHT HARNESS	-
5	401311	BALLAST BOX HOUSING	
6	391315	BALLAST 230 V	
6	391315/1	BALLAST 240V (UK)	
7	400293	CENTRAL REFLECTOR	
8	V800565	SCREW 4,2x6,5	
9	392627	LIGHT SWITCH	

DRW 217_10

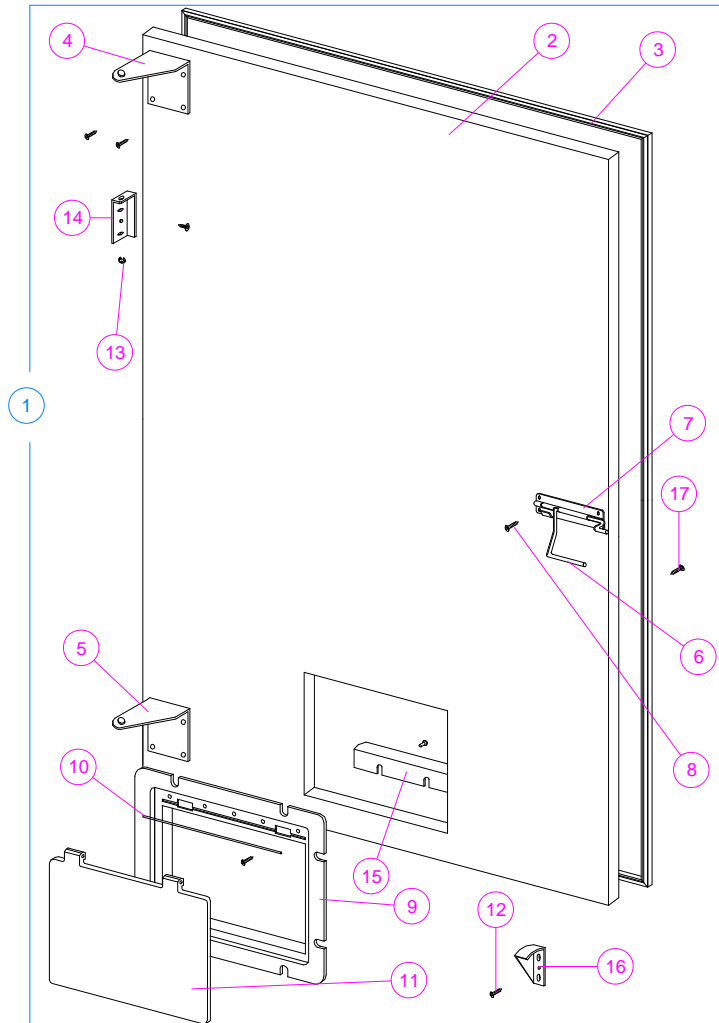


Pos	Code	Description	Serial Number Nota
1	132398/38	CABINET FINAL ASSY	
2	132412/2	CABINET BASE FINAL ASSY	
3	132413/2	CABINET BASE WELD ASSY	
4	386582	BREAKET REFRIGERANT SYSTEM	
5	391314	LIFT DOOR ROLLER	
6	386766	CABINET BASE BRACKET	
7	V800570	SCREW 4,8x9,5	
8	132720/3	FOAMED CABINET	
9	386804	LEVELLING SCREW	
9	139824	KIT BIG FOOT (4pcs x P/N403897)	
9	403897	LEVELLING SCREW M12 (BIG FOOT)	
10	386789	BOTTOM HINGE PIN	
11	390670	BACK PROTECTION	
12	133939	DELIVERY CHUTE	
13	390494/1	MECHANISM SUPPORT	
14	390494	MECHANISM SUPPORT - LEFT	
15	390980	DAM	
16	381035	THREAD TUBE	
17	375743	PLASTIC NUT	
18	381522	CONDENSER COMPASS	
19	386558	DOOR HINGE PLATE	

DRW 217_10

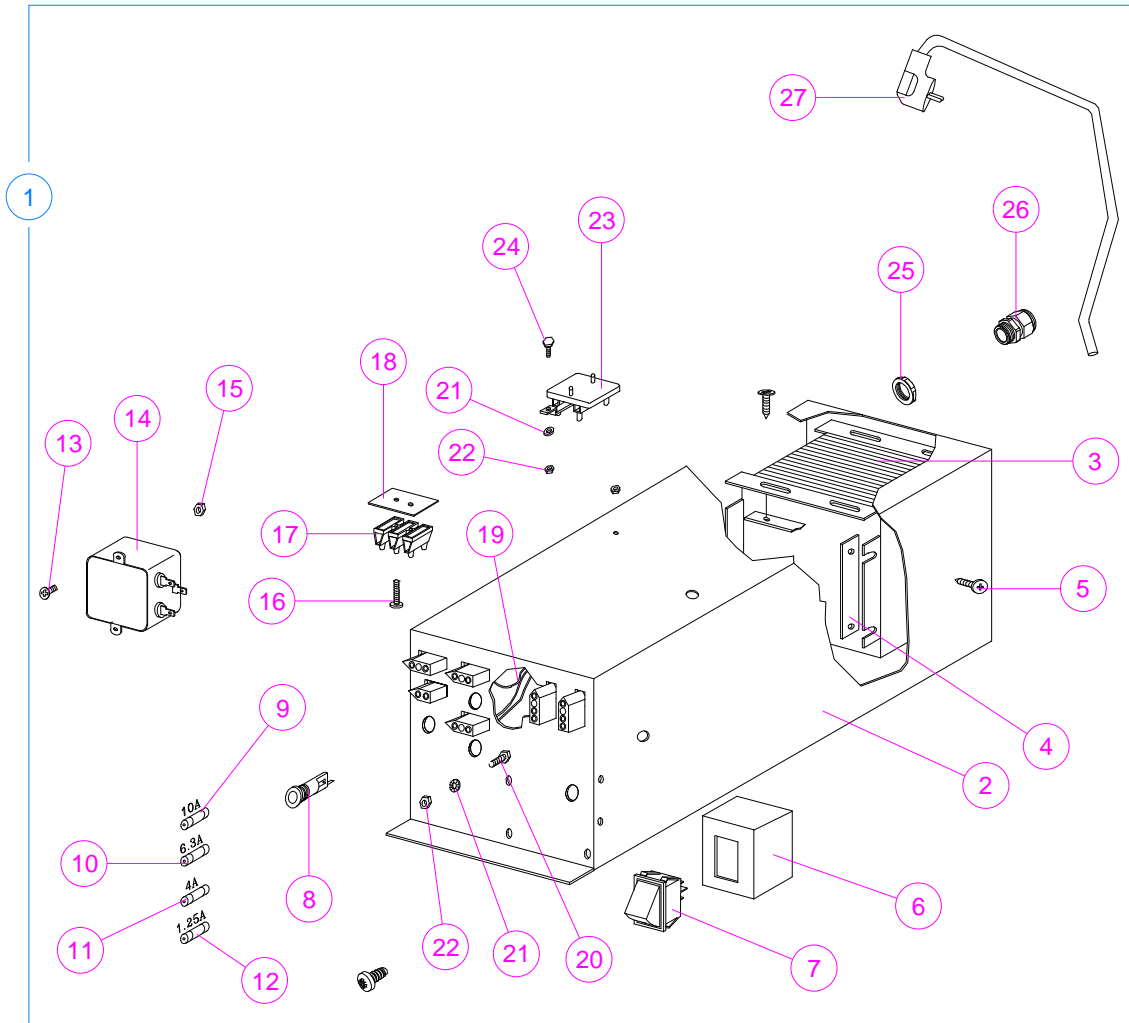


Pos	Code	Description	Serial Number Nota
20	386237/1	CARRIAGE BOLT M6	
21	371112/5	NUT M6	
22	390790	COVER HOLE	
23	395207	BOX TRANSFORMER	
24	397588	POWER SWITCH PROTECTION	
25	395567	THREADED PIN LOWER HINGE	
26	390025	WASHER	
27	392627	LIGHT SWITCH	
28	135570	POWER SWITCH HARNESS	
29	401457	CONDENSER BOX	
30	398883	TUBING	
31	38148	WASHER	
32	386896	HINGE COMPASS	
33	394985	REFRIGERANT SYSTEM COVER	
34	381436/1	SPRING PIN	
35	138766	ASSORBENT ASSY	
36	396817	ASSORBENT SPONGE	
37	402486	AIR DEFLECTOR	
38	390139	SCREW	

DRW 217_09


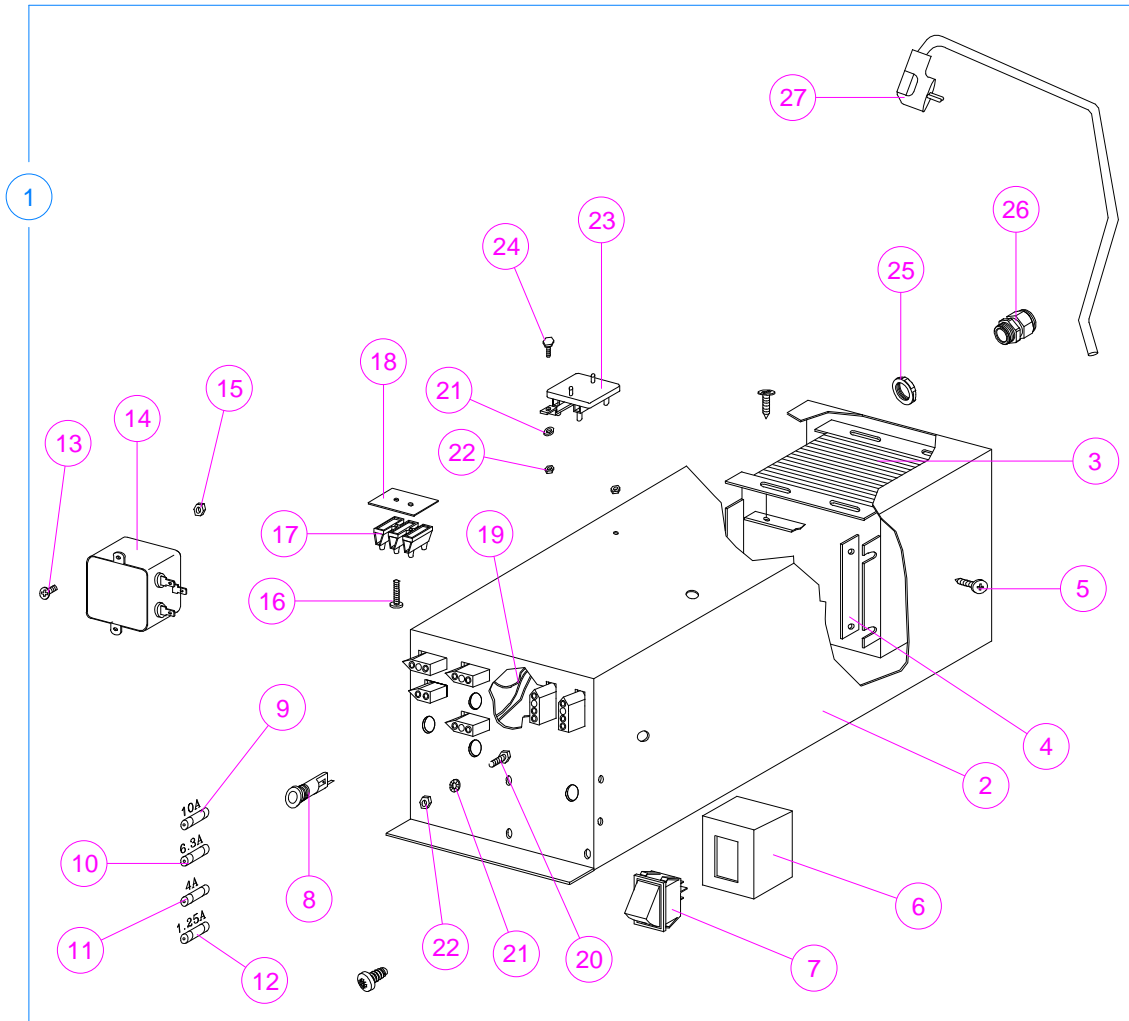
Pos	Code	Description	Serial Number Nota
1	136108/2	INNER DOOR ASSEMBLY	
2	136109/2	INNER DOOR FOAMED	
3	397108/17	GASKET INNER DOOR	
4	132456/1	TOP HINGE	
5	132456	LOWER HINGE	
6	393284	HANDLE GUIDE	
7	393283	HANDLE GUIDE	
8	V800570	SCREW 4,8x9,5	
9	387273	EYELET INNER DOOR	
10	386662/1	PIN DELIVERY DOOR	
11	387270	DELIVERY DOOR	
12	V800876	SCREW 6,3X19	
13	381442/2	RETAINER RING D.4	
14	390896	INNER DOOR HINGE	
15	386792	EXTENSION DELIVERY CHUTE	
16	341865	INNER DOOR SUPPORT	
17	V800566	TAPPING SCREW	

DRW 217_14

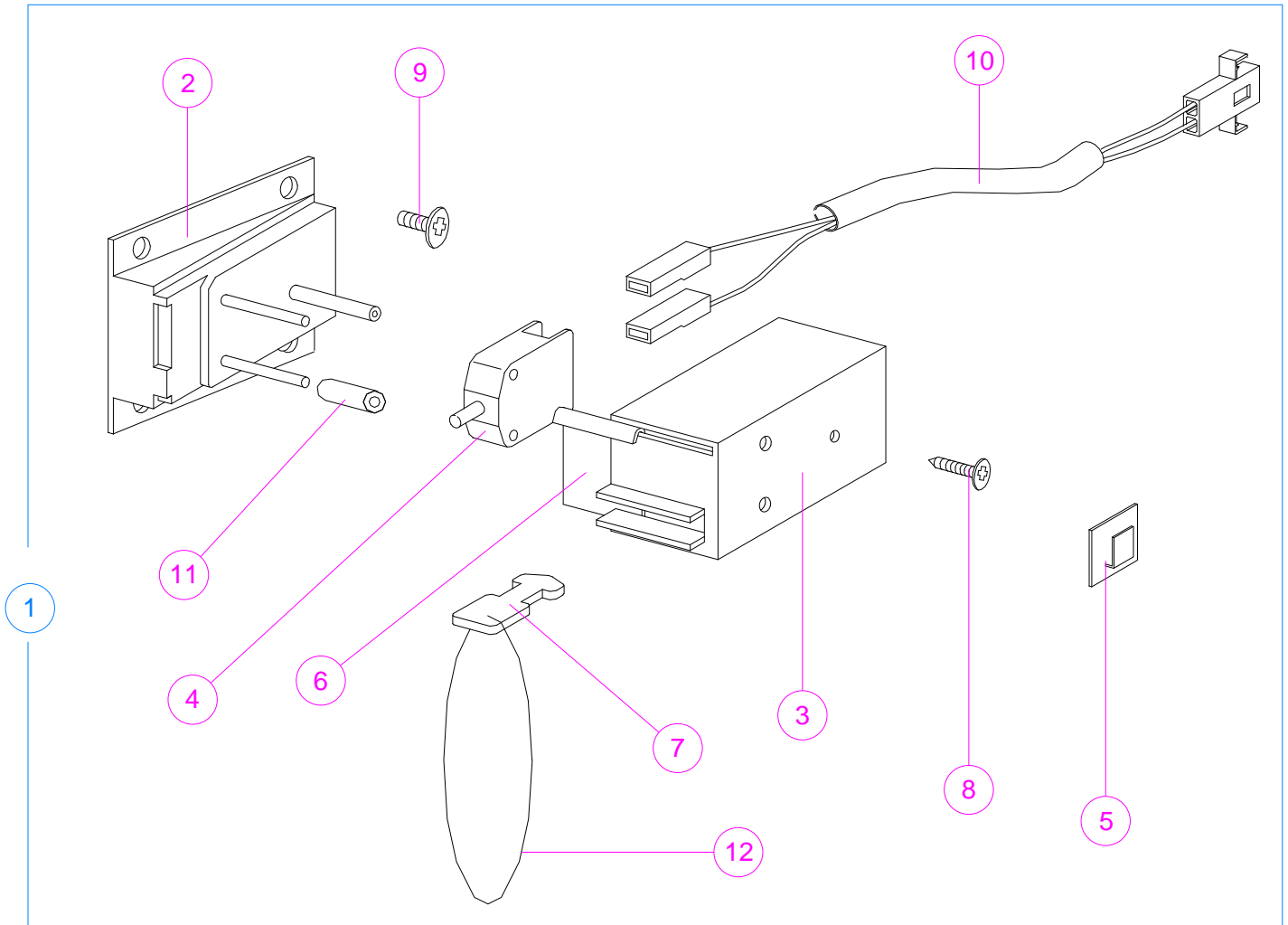


Pos	Code	Description	Serial Number Nota
1	137463	BOX TRANSFORMER ASSY	0000000000 - 1714003650
1	140346	BOX TRANSFORMER ASSY	1716006401 - ZZZZZZZZZZ
1	140357/1	BDV SEL TRANSFORMER BOX ASSY	
2	395207	BOX TRANSFORMER	
3	393532	TRANSFORMER	0000000000 - 1714003650
3	405871	TRANSFORMER	1716006401 - ZZZZZZZZZZ
3	405874	TRANSFORMER 220/240 280VA	ONLY WITH P/N 140357/1
4	395990	TRANSFORMER PLATE	
5	V800570	SCREW 4,8x9,5	
6	394521	SWITCH BRKT	0000000000 - 2017006012
6	407660	SWITCH BRKT	2020008683 - ZZZZZZZZZZ
7	392627	LIGHT SWITCH	
8	395158	FUSE CARRIER	
9	386916/8	FUSE 5 X 20 10A	
10	386916/1	FUSE 5x20 6,3A	
11	386916	FUSE 5 X 20 4A	
12	386916/10	FUSE 5 X 20 1.25A	
13	371360	SCREW M4 X 10	
14	386346/3	FILTER 1A	
15	398224/1	NUT M4	
16	371109/7	TAPPING M3 X 20	

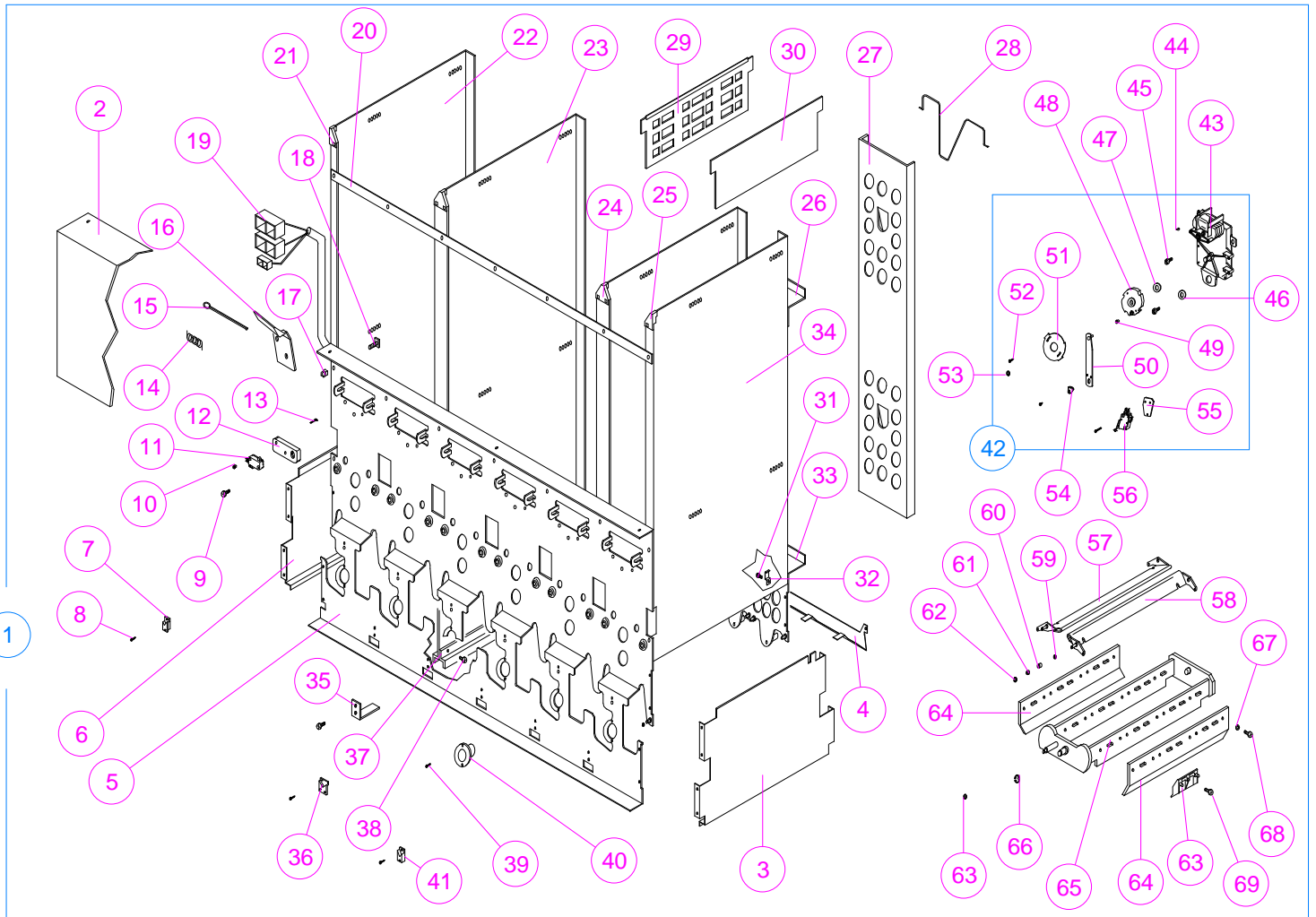
DRW 217_14



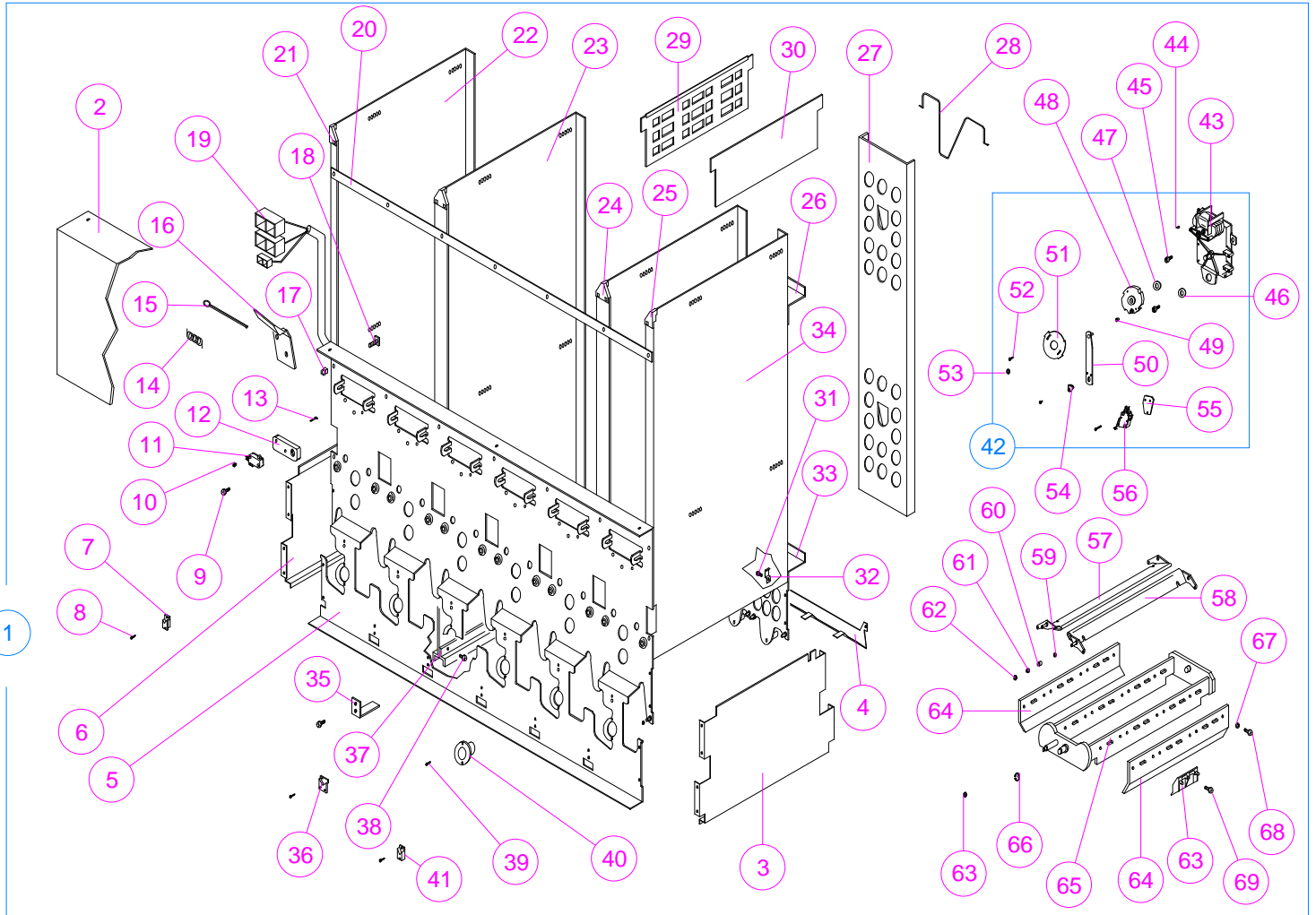
Pos	Code	Description	Serial Number	Nota
17	381954/1	TERMINAL BOARD 3 WAYS		
18	393883	INSULATOR 3 WAY		
19	140354	BOX TRANSFORMER HARNESS		
20	381643	BRASS BOLT M4		
21	V801039	WASHER		
22	381644	BRASS NUT M4		
23	391032	TERMINAL BOARD		
24	381643	BRASS BOLT M4		
25	391990/1	RING NUT		
26	391990	CABLE CLAMP		
27	520044/6	SERVICE CORD "SHUKO PLUG"	-	
27	130471	SELECTA SERVICE CORD ASSY	-	ONLY WITH P/N 140357/1

DRW 217_08


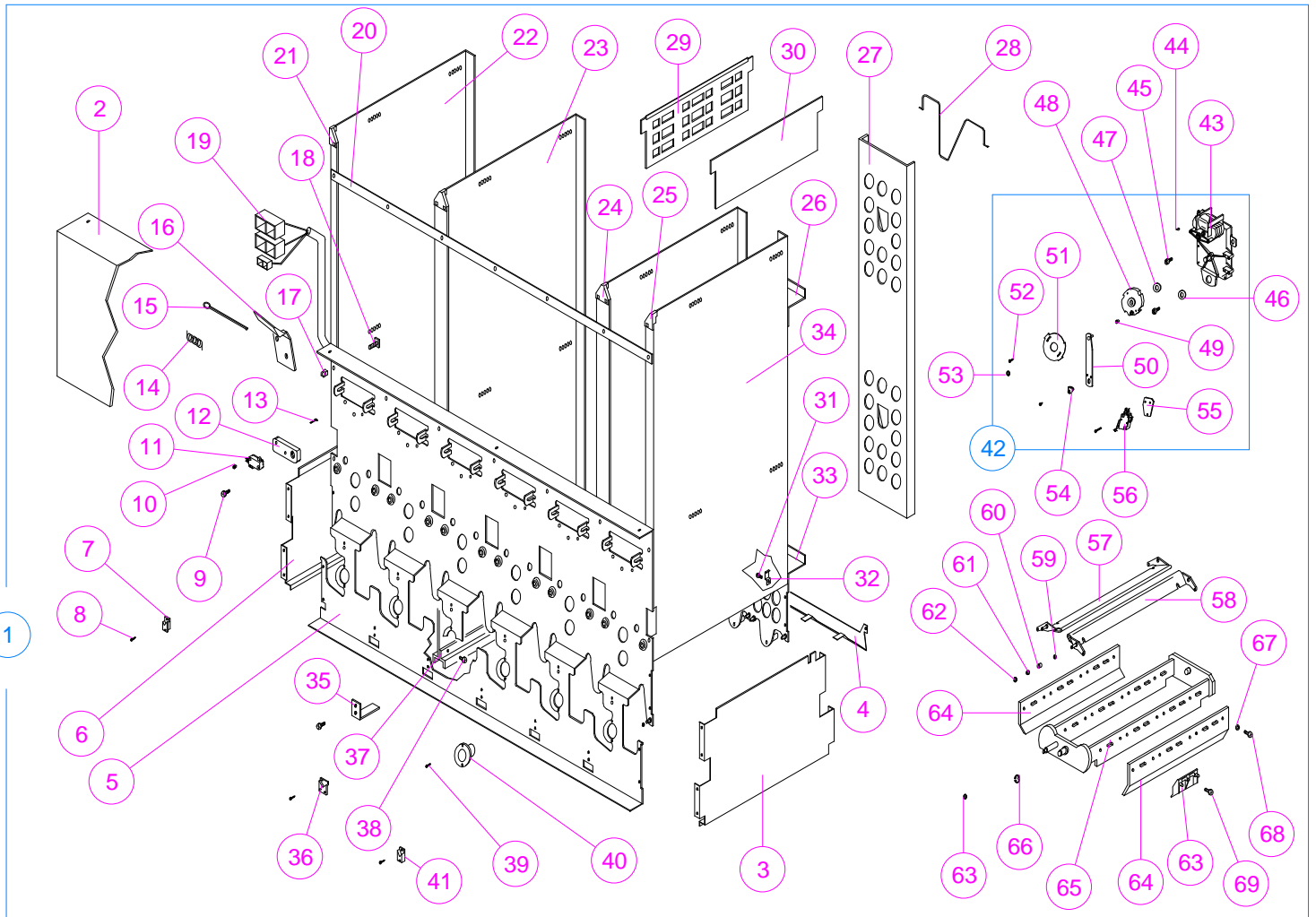
Pos	Code	Description	Serial Number Nota
1	135579/4	DOOR SWITCH	
2	391070	SAFETY SWITCH SUPPORT	
3	391069	SWITCH BOX COVER	
4	381961	SWITCH	
5	393647	CLAMP PF192V	
6	381958	ACTUATING LEVER	
7	391148	SWITCH ACTUATOR	
8	381603/1	SCREW 2,9x6,5	
9	V800570	SCREW 4,8x9,5	
10	135570	POWER SWITCH HARNESS	
11	381604/2	SPACER	
12	393648	LACE	

DRW 217_17


Pos	Code	Description	Serial Number Nota
1	132762/11	VEND MECHANISM ASSY	
2	390998	MECHANISM COVER	
3	390497	MECHANISM RIGHT SIDE	
4	391067	PARTITION RETAINER (BACK)	
5	132768/1	FRONT PLATE RIVET ASSY	
6	390497/1	MECHANISM LEFT SIDE	
7	397386	LEFT SHELF STOPPER	
8	V800565	SCREW 4,2x6,5	
9	V800570	SCREW 4,8x9,5	
10	371109	NUT M3	
11	391608/1	SWITCH	
12	390822	SOLD OUT SWITCH SUPPORT	
13	371109/7	TAPPING M3 X 20	
14	390972	SPRING	
15	V801111	COTTER PIN	
16	390530/1	SOLD OUT LEVER	
17	371112/5	NUT M6	
18	375960	TEE BOLT M6x12	
19	135691/1	MECHANISM HARNESS	
20	390509/1	PARTITION FRONT SUPPORT	
21	390783/2	LEFT PLASTIC PROTECTION	

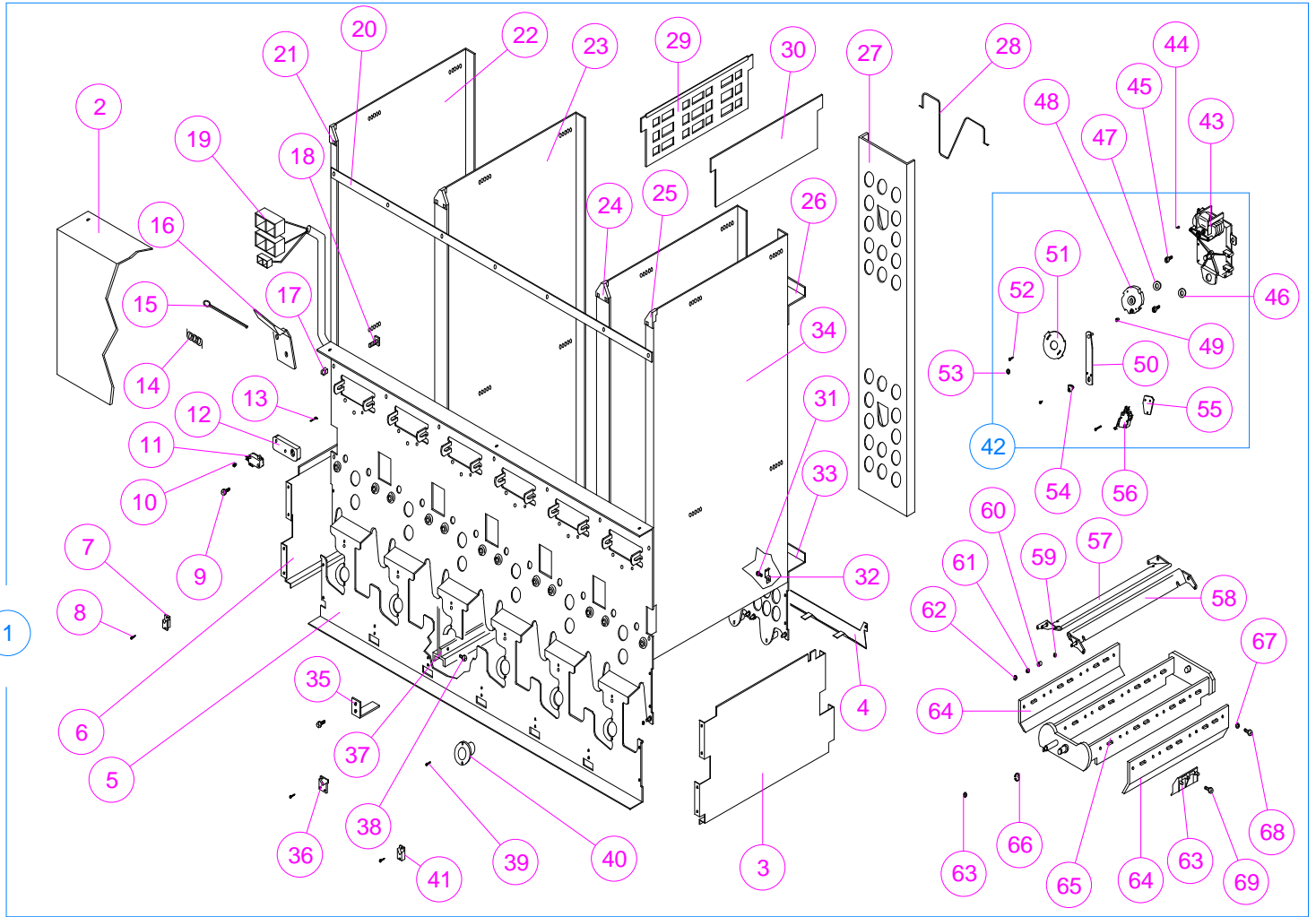
DRW 217_17


Pos	Code	Description	Serial Number Nota
22	391628/1	LEFT SIDE PARTITION	
23	391630/1	CENTRAL PARTITION	
24	390783	CENTRAL PLASTIC PROTECTION	
25	390783/2	LEFT PLASTIC PROTECTION	
26	390511/1	PARTITION SUPPORT	
27	386600/1	BAFFLE	
28	390572	BAFFLE RETAINER	
29	386616/1	PLASTIC SHIM 2mm	
29	386617/1	PLASTIC SHIM 4mm	
30	390333/1	SHEET SHIM 0,8mm	
31	V801441	SCREW	
32	381377	SHIM RETAINER	
33	132769/1	REAR PLATE RIVET ASSY	
34	391629/1	RIGHT SIDE PARTITION	
35	390575	PARTITION RETAINER (FRONT)	
36	397384	CENTRAL SHELF STOPPER	
37	390521	SPACER BAR	
38	V800565	SCREW 4,2x6,5	
39	381603/4	TAPPING SCREW 2,9x6,3	
40	391005	PLASTIC BUSHING	
41	397385	RIGHT SHELF STOPPER	

DRW 217_17


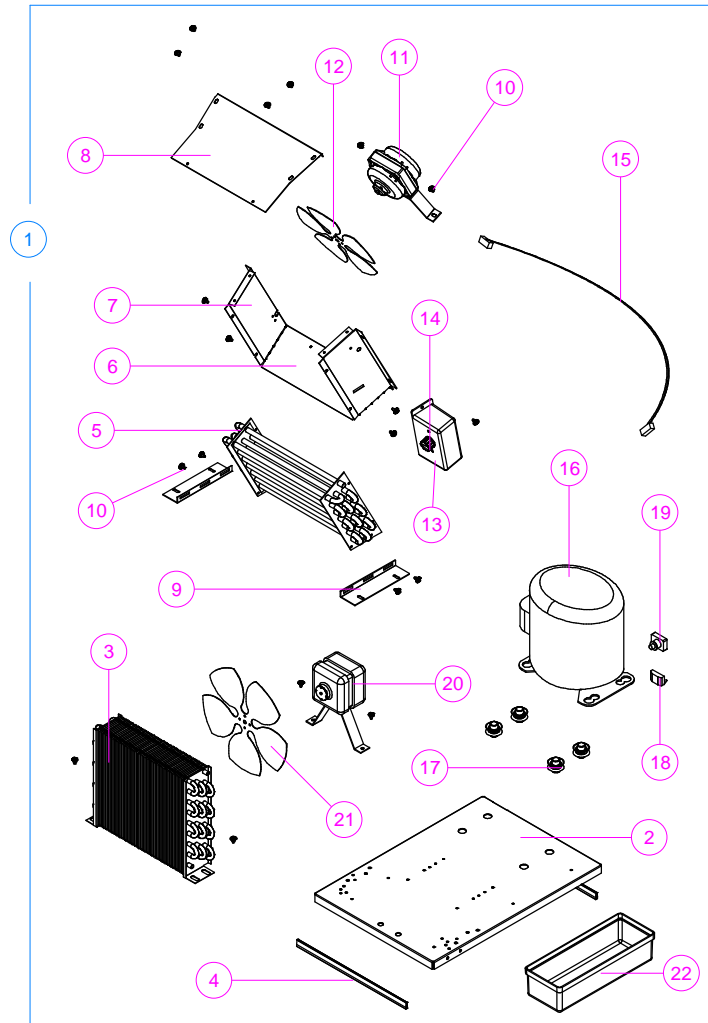
Pos	Code	Description	Serial Number Nota
42	132423	VEND MOTOR ASSEMBLY	
43	386671	MOTOR 24V 5,8 RPM	
44	V801147	WOODRUFF KEY	
45	V800569	SCREW TC+ 4,8x6,5	
46	381228	FLAT WASHER 6x24x2	
47	383732	NYLON WASHER	
48	383738	HUB CAM	
49	383983	NYLON BUSHING	
50	131362/1	DRIVE LINK	
51	383831	COVER CAM	
52	386556	TAPPING SCREW	
53	381442/1	RETAINER RING D.8	
54	371544	COMPASS	
55	340025/4	SWITCH INSULATOR	
56	337576	SWITCH	
57	132748	SHELF RIVET ASSY (LEFT SIDE)	
58	132748/1	SHELF RIVET ASSY (RIGHT SIDE)	
59	324353	WASHER	
60	381084	BEARING	
61	390456	ROLLER SPACER	
62	381442	RETAINER RING D.6 UNI 6799	

DRW 217_17



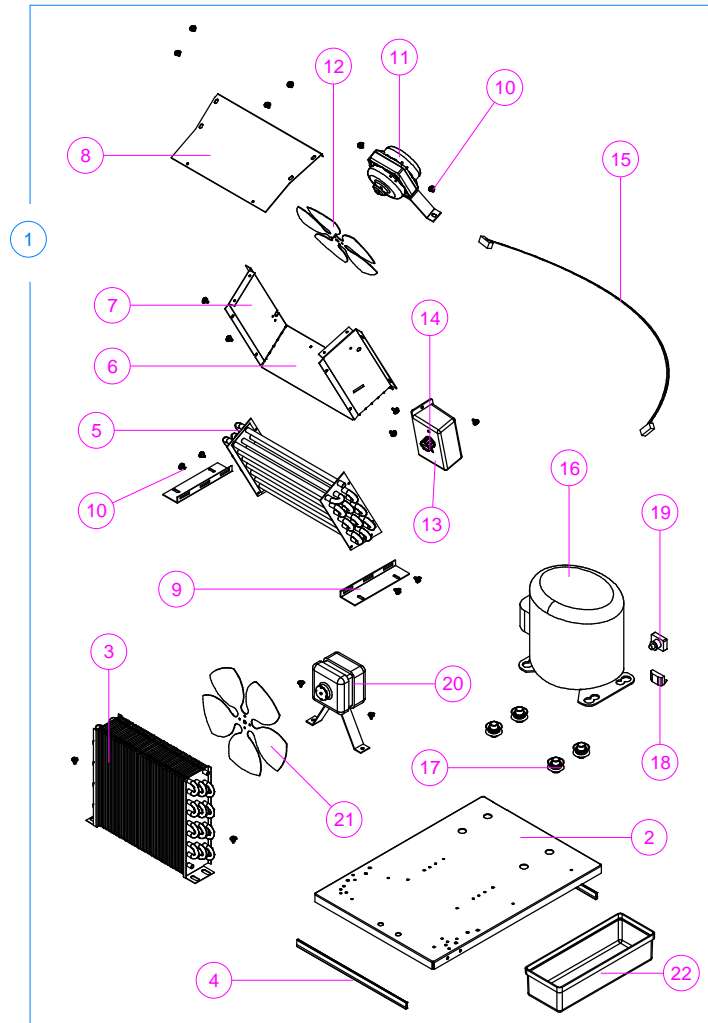
Pos	Code	Description	Serial Number Nota
63	376631/1	CAN SPACER	
64	370736/1	SMALL SPACER	
64	381901	BIG SPACER	
64	381901/1	MIDDLE SPACER	
65	132420/2	BAIL WELD ASSY	
66	V801084	RETAINER RING	
67	31915	WASHER	
68	371111/9	SCREW M5 X 8	
69	V800874	SCREW 4,8x16	

DRW 217_18

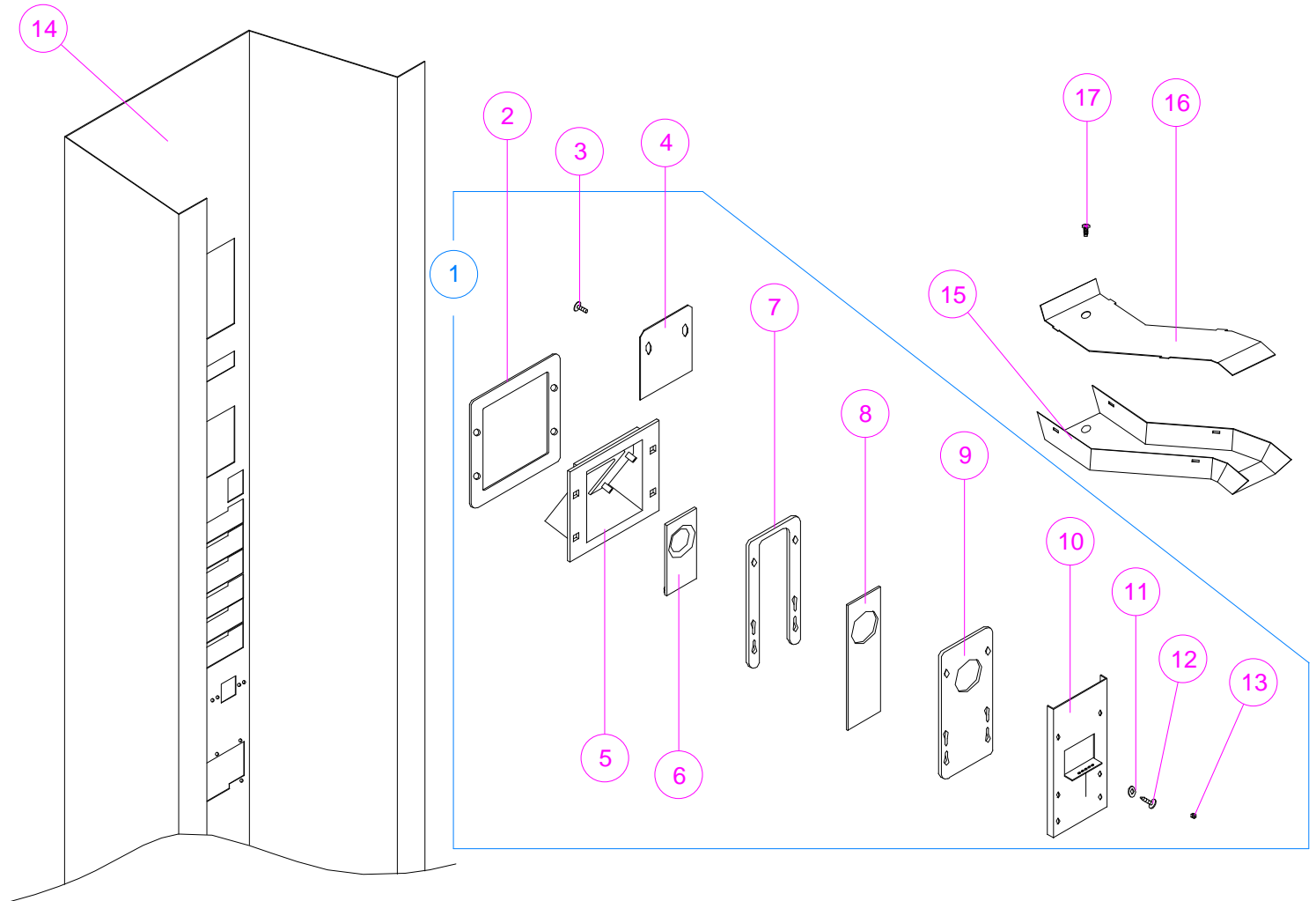


Pos	Code	Description	Serial Number	Nota
1	136212/1	REFRIGERANT SYSTEM ASSEMBLY		
2	369776	REFRIGERANT SYSTEM BASE		
3	394269	CONDENSER		
4	386430/20	WHITE TRIM		
5	386881	EVAPORATOR		
6	386875	EVAPORATOR SIDE LH	0000000000 - 2021010230	
6	408629	EVAPORATOR SUPPORT	2111000001 - ZZZZZZZZZZ	This Part Replaces Pos. 6 & 7
7	391155	EVAPORATOR SIDE RH	0000000000 - 2021010230	
7	408629	EVAPORATOR SUPPORT	2111000001 - ZZZZZZZZZZ	This Part Replaces Pos. 6 & 7
8	386879	EVAPORATOR COVER		
9	386872/1	MOTOR FAN BRACKET		
10	V800570	SCREW 4,8x9,5		
11	394290	FAN MOTOR 10W 220/50 4112.0215	0000000000 - 2021010230	
11	394290/7	FAN MOTOR 10W 220/50 4112.0215	2111000001 - ZZZZZZZZZZ	
12	371186/2	FAN BLADE		
13	390897	THERMOSTAT HOUSING		
14	390495	THERMOSTAT	0000000000 - 1516005630	
14	332600	TEMPERTURE CONTROL	1517006913 - ZZZZZZZZZZ	
15	135842/1	THERMOSTAT HARNESS	0000000000 - 2021010230	
15	141630	THERMOSTAT HARNESS	2111000001 - ZZZZZZZZZZ	
16	391727	COMPRESSOR 1/5 HP R134a		

DRW 217_18

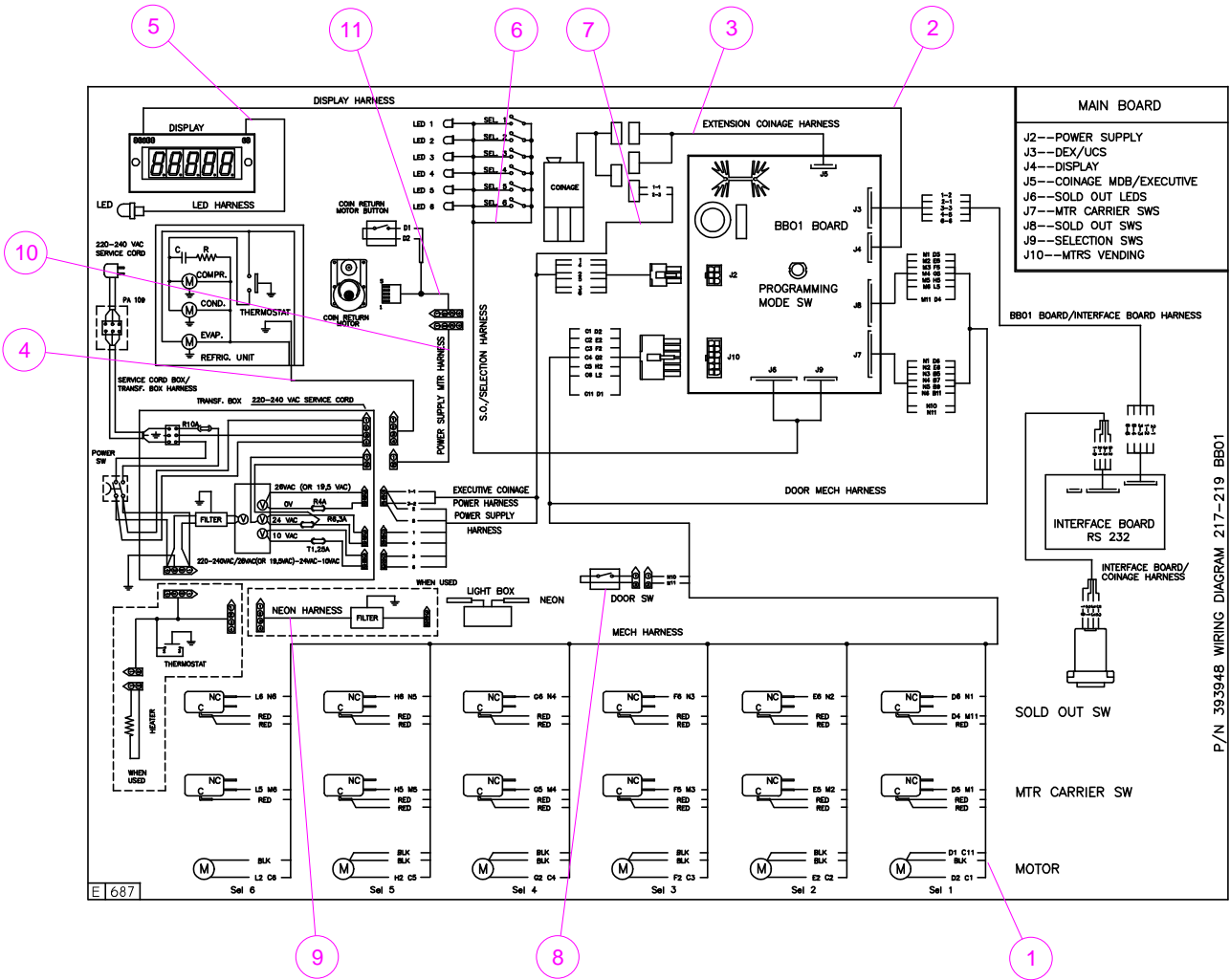


Pos	Code	Description	Serial Number Nota
17	393885	SHOCK ABSORBER COMPRESSOR	
18	394237	CUBIGER OVERLOAD PROTECTION	
18	394237/1	ASPERA OVERLOAD PROTECTION	
19	394236	CUBIGER STARTING RELAY	
19	394236/1	ASPERA STARTING RELAY	
20	394960	MOTOR FAN 10 W 250/50 ST. H72	0000000000 - 2021010230
20	394960/2	MOTOR FAN 10 W 250/50 ST. H72	2111000001 - zzzzzzzzzz
21	340622	FAN BLADE	
22	401457	CONDENSER BOX	

DRW 217_05


Pos	Code	Description	Serial Number Nota
1	137350	SLIDE COINS INSERT ASSY	
2	398760	GASKET	
3	381290/1	SCREW M5 X 20	
4	397563	COVER PLATE	
5	397173	COINS INSERT HOUSING	
6	396102	DRAFT COINS INSERT	0000000000 - 0916013110
6	397423	DRAFT COINS INSERT	0916013111 - ZZZZZZZZZZ
7	396100	UPPER PLATE COINS INSERT	
8	396101	SLIDE PLATE	0000000000 - 0916013110
8	397420	SLIDE PLATE	0916013111 - ZZZZZZZZZZ
9	396099	LOWER PLATE COINS INSERT	0000000000 - 0916013110
9	397424	LOWER PLATE COINS INSERT	0916013111 - ZZZZZZZZZZ
10	404221	COIN INTRODUCTION BACK PLATE	
11	381240	WASHER 4,2 X 9 X 1	
12	V800566	TAPPING SCREW	
13	398224/2	NUT M5	
14	401535	CONTROL PANEL SCI	
15	397549	COIN CHUTE	
16	397552	COVER COIN CHUTE	
17	V800611	SCREW 4,2x9,5	

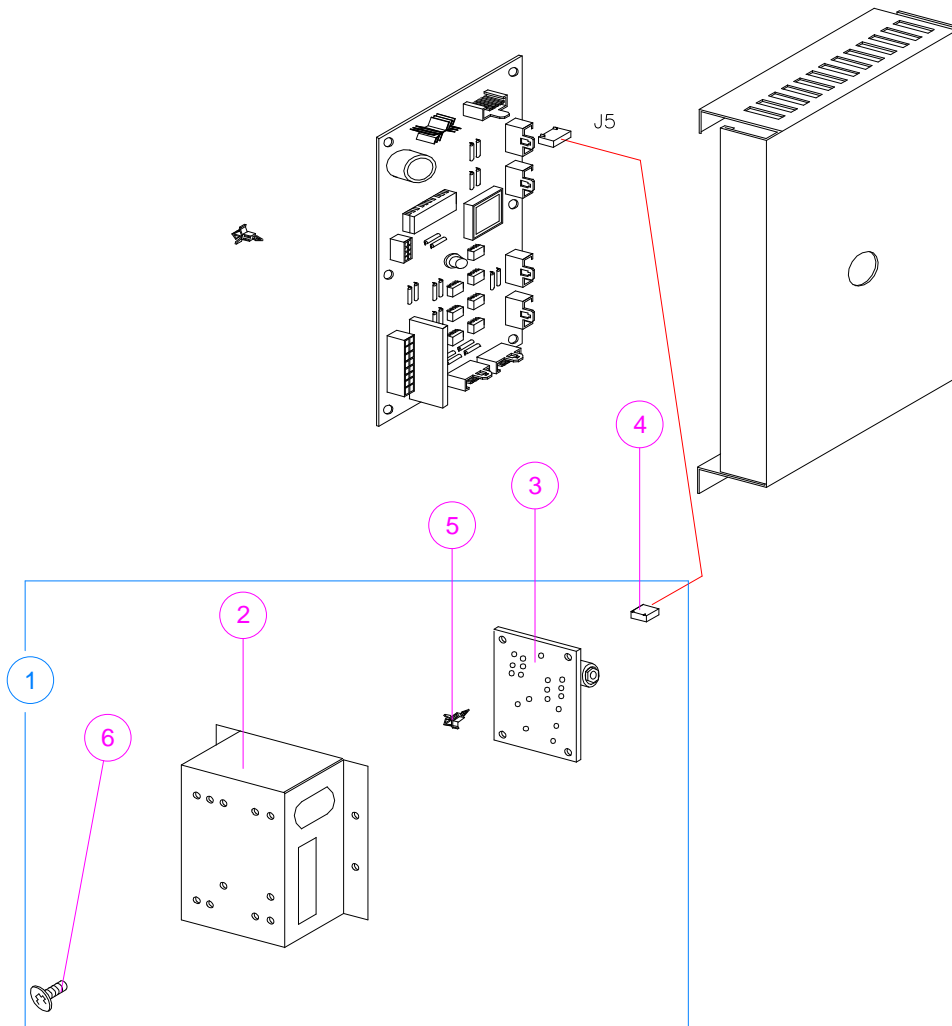
DRW 217_07



P/N 393948 WIRING DIAGRAM 217-219 BBO1

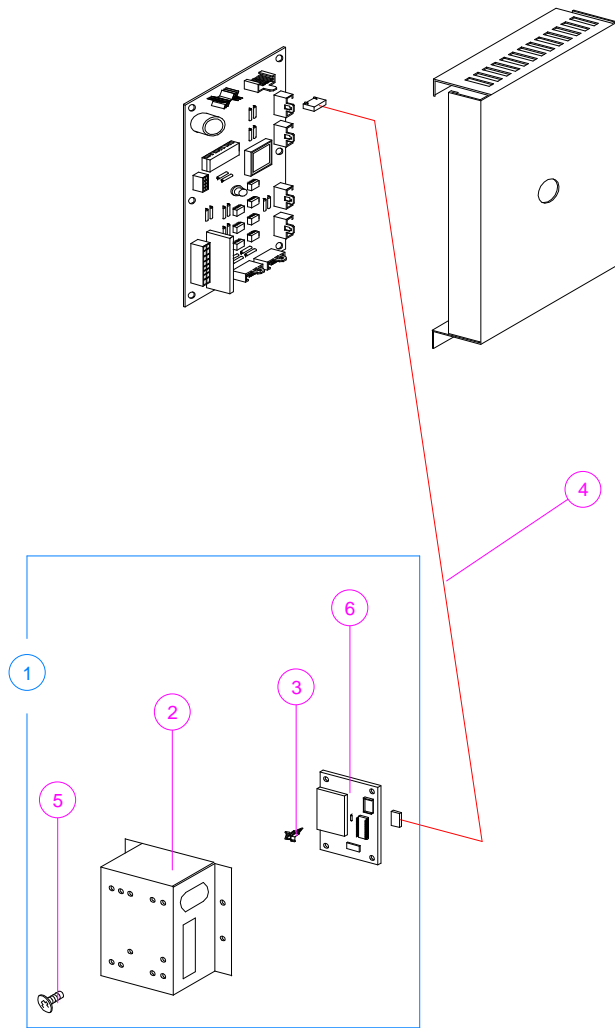
Pos	Code	Description	Serial Number Nota
1	135691/1	MECHANISM HARNESS	
2	135449	DISPLAY HARNESS	
3	135452/1	EXTENSION COINAGE HARNESS (EXE.)	
3	135451/1	EXTENSION COINAGE HARNESS (MDB)	
3	135865	EXTENSION COINAGE HARNESS (BDV)	
4	135772	POWER SUPPLY REFR. SYSTEM HARNESS	0000000000 - 2021010230
4	141630	THERMOSTAT HARNESS	2111000001 - ZZZZZZZZZZ
5	136924	COIN RETURN LED HARNESS	
5	136568	COIN RETURN LED HARNESS	
6	136493/1	SELECT & S.O. LED HARNESS	
7	135453/1	BOX TRANSFORMER - POWER BOARD HAR.	
8	135570	POWER SWITCH HARNESS	
9	135554/2	LIGHT HARNESS	
10	136566	COIN RETURN ALIMENTATION HARNESS	
11	136747	COIN RETURN MOTOR HARNESS	

DRW 217_06



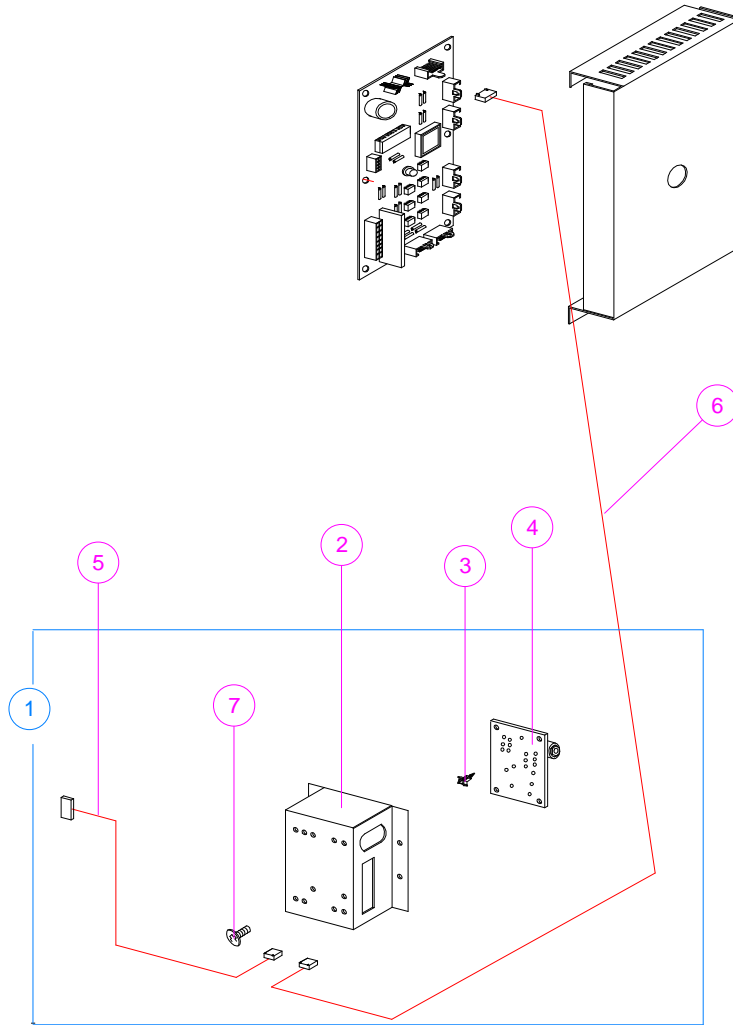
Pos	Code	Description	Serial Number Nota
1	136407/1	KIT JACK ASSY	
2	396771	SMART CARD COVER	
3	397404	INTERFACE DEX-PRINTER	
4	136406/1	INTERFACE BOARD HARNESS	
5	386348	BOARD RETAINER	
6	V800570	SCREW 4,8x9,5	

DRW 217_11



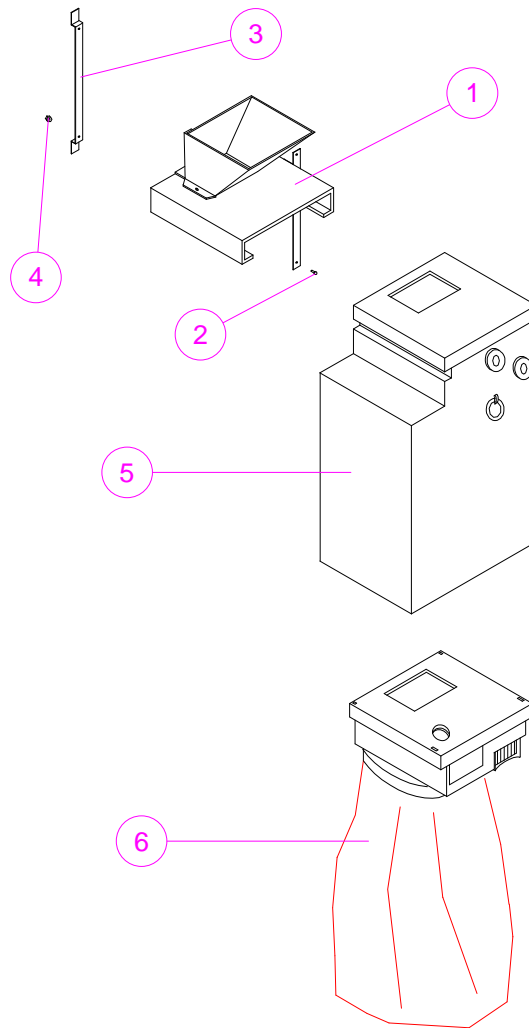
Pos	Code	Description	Serial Number Nota
1	136089	KIT CARD READER FOR VMC	
2	396771	SMART CARD COVER	
3	386348	BOARD RETAINER	
4	136082	CARD READER HARNESS	
5	V800570	SCREW 4,8x9,5	
6	394542	SMART CARD READER	

DRW 217_12



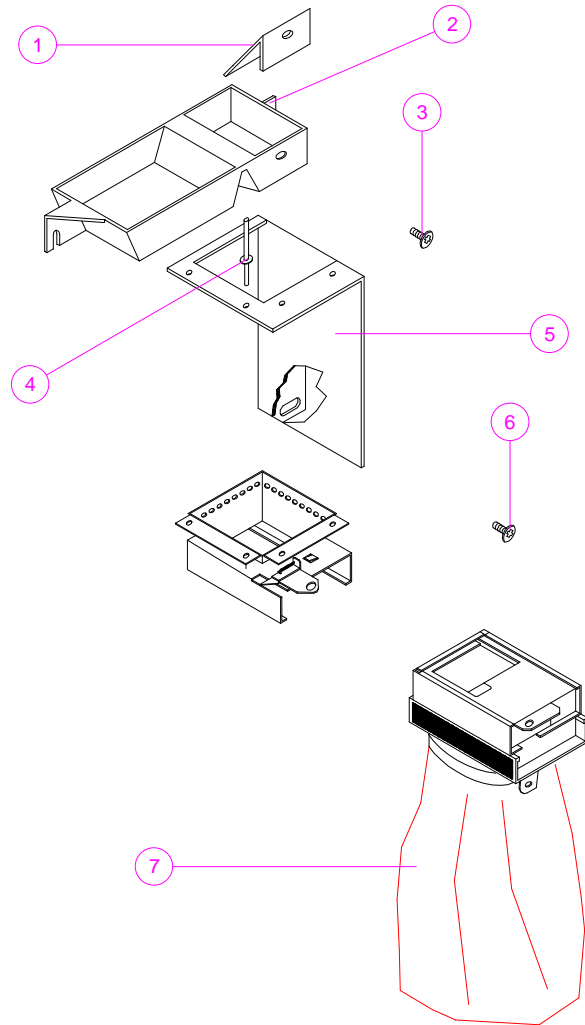
Pos	Code	Description	Serial Number Nota
1	135669/1	KIT INTERFACE PRINT INSTALLATION	
1	135887	KIT SEIKO PRINTER - INTERFACE	
2	396771	SMART CARD COVER	
3	386348	BOARD RETAINER	
4	397404	INTERFACE DEX-PRINTER	
5	135660	COINAGE INTERFACE BOARD HARNESS	
5	135884	INTERFACE - PRINTER BOARD HARNESS	
6	136406/1	INTERFACE BOARD HARNESS	
7	V800570	SCREW 4,8x9,5	

DRW 217_16



Pos	Code	Description	Serial Number Nota
1	401257	COIN CONVEYOR	
2	391391/4	PRISONER 3MAx8	
3	394860	BRACKET COIN BOX	
4	398224	NUT M3	
5	395159...	SAFEGUARD COIN BOX	Pls. specify code or customer name
6	397755...	SAFER SYSTEMS COIN BAG	Pls. specify code or customer name

DRW 217_19



Pos	Code	Description	Serial Number Nota
1	401445	COIN CHUTE ADAPTOR	
2	390537	COIN FUNNEL	
3	390139	SCREW	
4	390559/1	RIVET5x11	
5	138616	GLENVIEW COIN BAG SUPPORT WELD ASSY	
6	V800570	SCREW 4,8x9,5	
7	407328	GLENVIEW COIN BAG	

REV. REV. REV. REV.	DATA REV. REV. DATE DATE REV. DATUM REV.	ECRN ECRN ECRN ECRN	DISEGNI REVISIONATI REVISION DESSIN REVISÉ ÄNDERUNG	PAGINA PAGE PAGE SEITE
000	02/02/2011		Passage of the manual from the old version to the new	
001 (A)	20/06/2011	1296	The p/n 396033 Replaced with the p/n 396032	11-12
002 (B)	20/09/2011		Added p/n 139824	14-15
003 (C)	09/03/2012		Added kit p/n 136088 on the door	3-4-5-6
		1315	Added p/n 130471 in place of p/n 520044/6 (to the transformer box)	17-18
004	03/10/2012		Updated electrical diagram	27
			Added Page Revisions	34
			Change p/n392999/2 and 392998/2 with 394237,394236 and 394237/1,394236/1	24-25
005	20/11/2012		Update safeguard	31
			Update drawer of Slide Coin Insert	34
006				
007				
008				
009				
010				